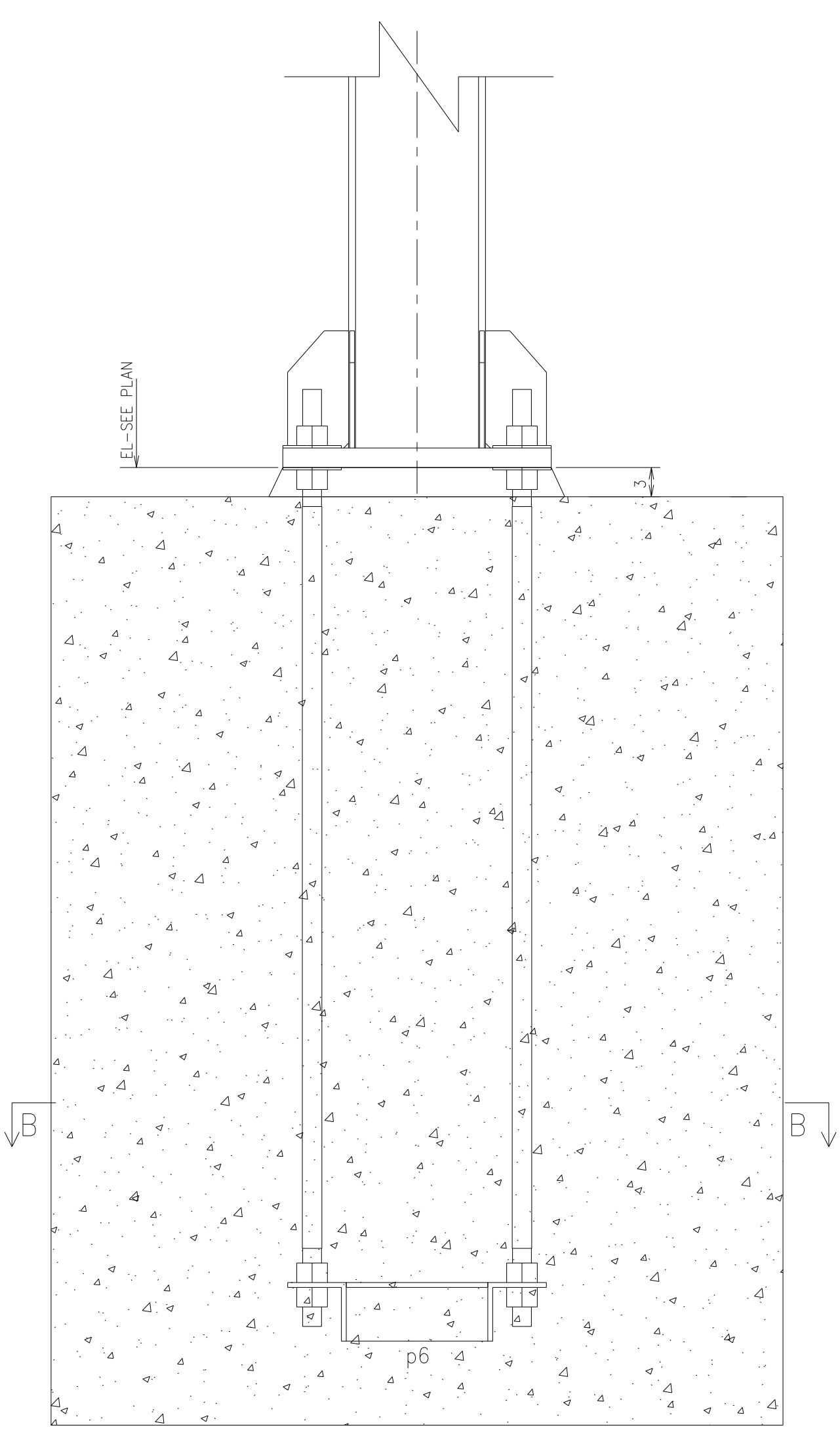
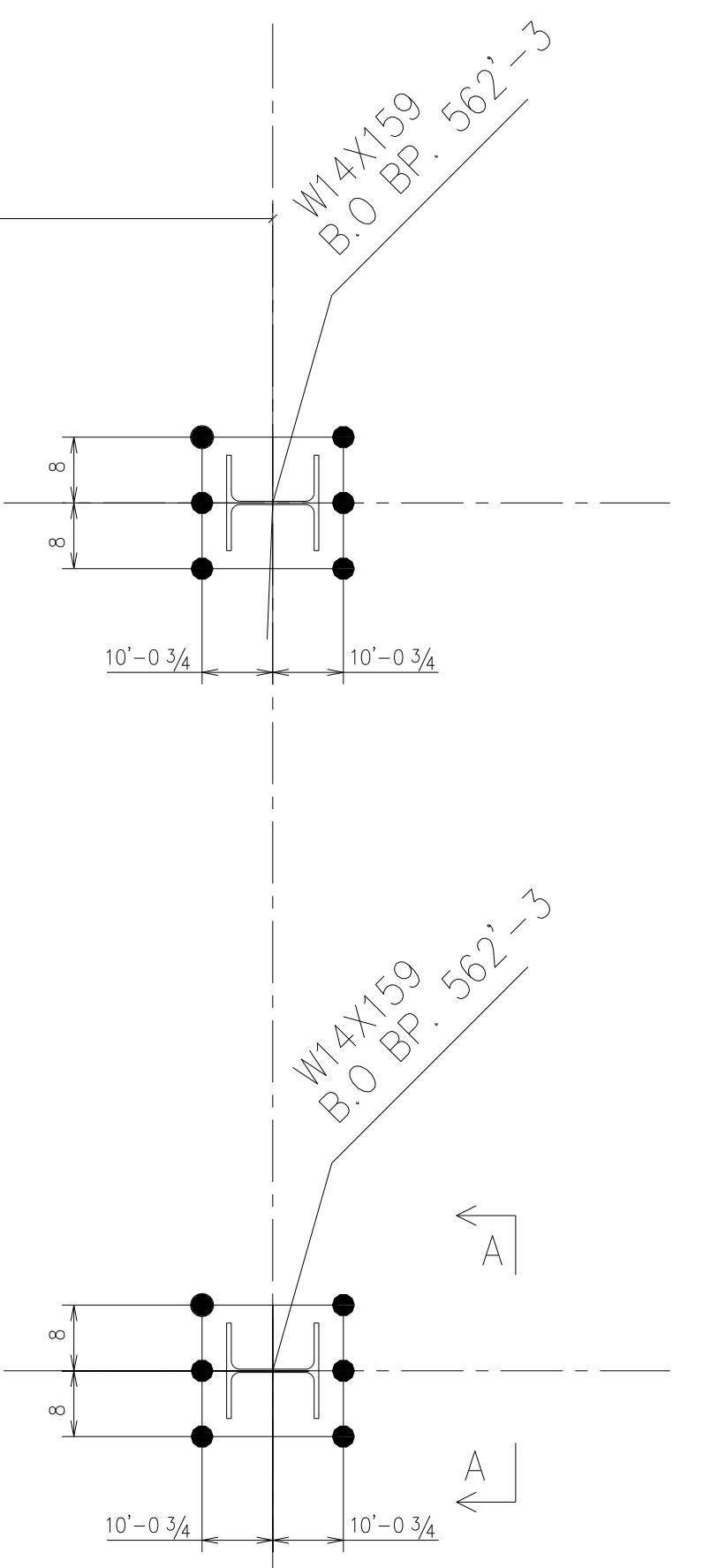
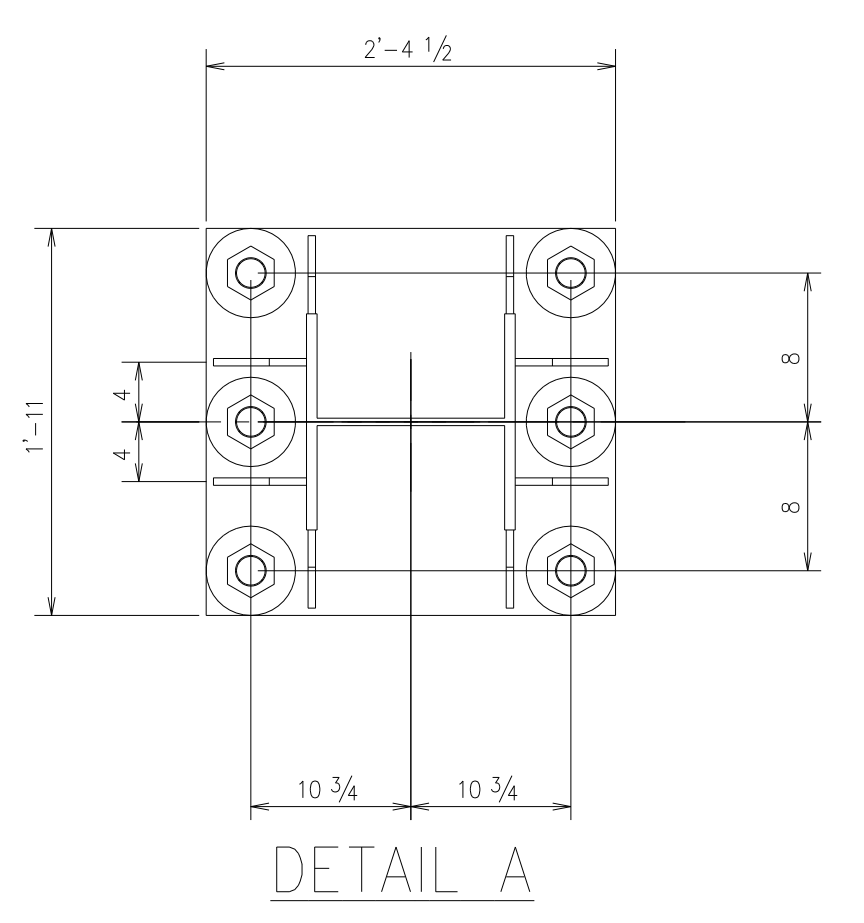


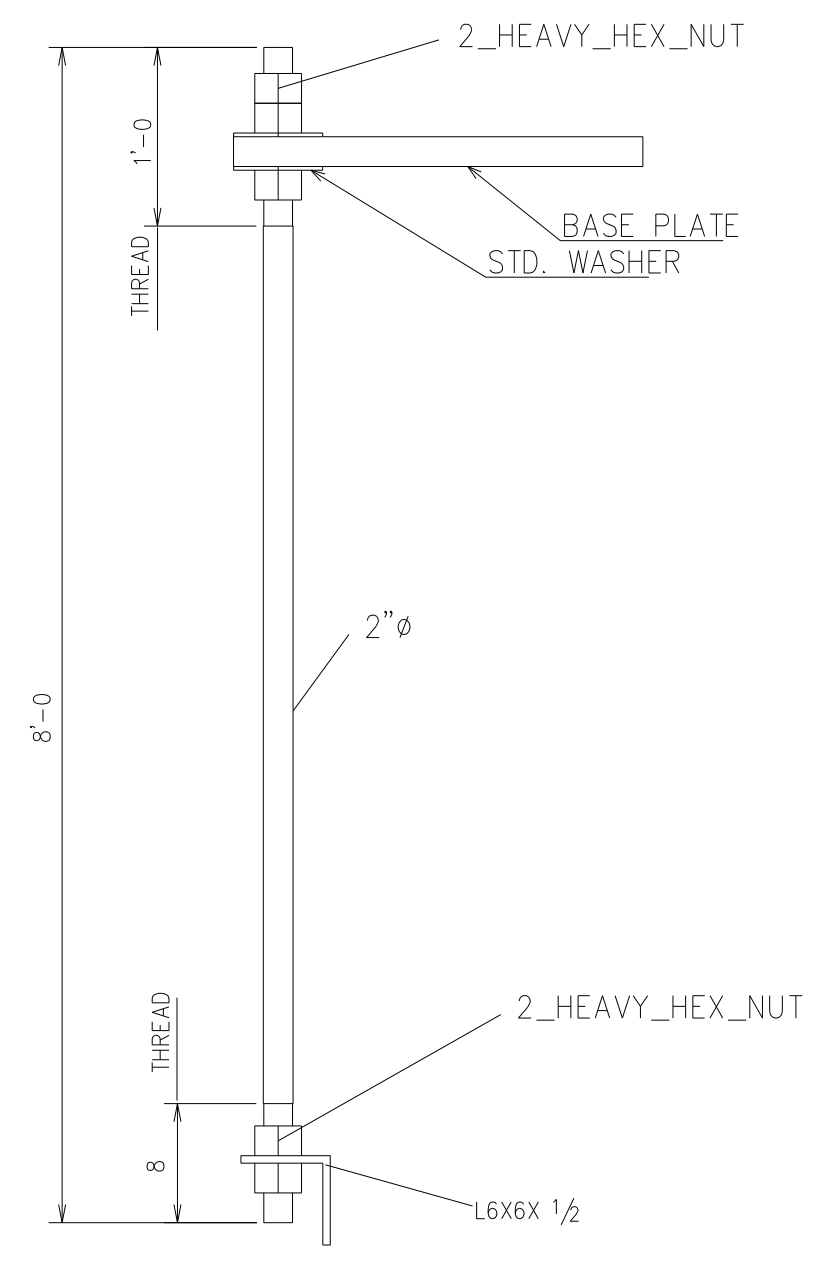
122'-3



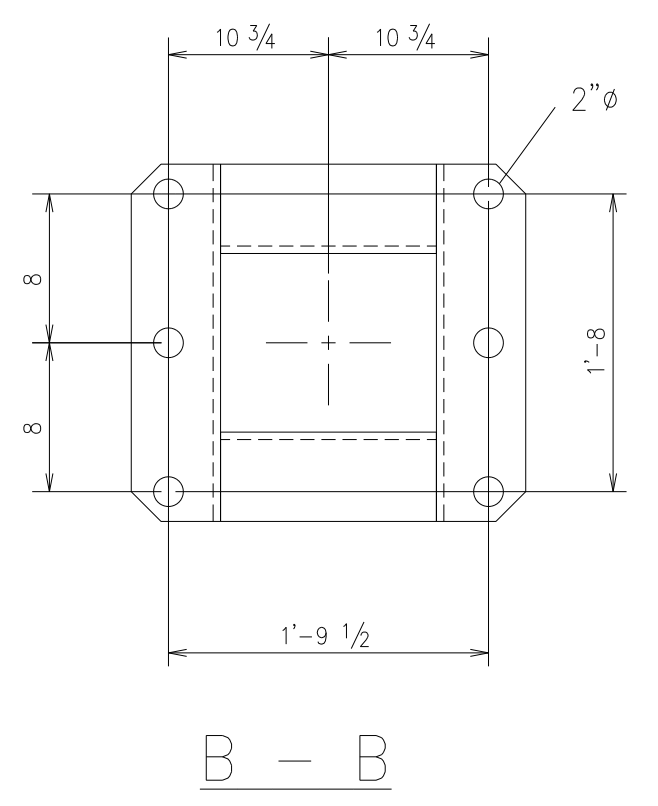
VIEW A - A



DETAIL A



DETAIL OF ANCHOR BOLTS AB-1  
24 NOs.



B - B

NJTPK APPROVAL

DESIGNER APPROVAL CONTRACTOR APRVL

PRINT RECORD				REVISION RECORD			
DATE	BY	COPIES	DESCRIPTION	DATE	BY	REV	DESCRIPTION
				08-18-07	SA	A	ISSUED FOR APPROVAL



MATERIAL	A36 (UN)	Holes AS NOTED	BOLTS A325 Type 1 (Galv/A153)
ELECTRODES	E70XX-LH	FINISH	HOT DIPPED GALV. OTHER
<small>APPROVAL BY THE OWNER OR REPRESENTATIVE OF, AND/OR CONTRACTOR OF THESE SHOP DRAWINGS PREPARED BY RCC FABRICATORS INC. INDICATES THAT RCC FABRICATORS HAS CORRECTLY INTERPRETED THE CONTRACT DRAWING REQUIREMENTS. CONTRACTOR SHALL APPROVE DRAWINGS, BY STAMP AND/OR SIGNATURE, OR MAKE CHANGES REQUIRED IN DRAWINGS AND RETURN TO RCC FABRICATORS INC. RCC FABRICATORS INC. IS ONLY RESPONSIBLE THAT THE ITEMS ARE FABRICATED TO REFLECT APPROVED SHOP DRAWINGS. FIELD ADJUSTMENTS MAY BE REQUIRED FOR PROPER FIT DUE TO VARIOUS TRADES INVOLVED AND CONDITIONS BEYOND OUR CONTROL. THESE DRAWINGS ARE THE PROPERTY OF RCC FABRICATORS, INC. ANY USE FOR FABRICATION OR ESTIMATING WITHOUT THE WRITTEN CONSENT OF RCC FABRICATORS IS PROHIBITED.</small>			



2035 Rte 206 S., P.O. Box 2597, Southampton, NJ 08088 Phone: 609-859-9350 Fax: 609-859-9355			
STRUCTURE	South Salem Street Bridge	LOCATION	
ROUTE & SECTION		TITLE	Catenary Structure DD37-57B(Structure-2) Anchor Bolt Plan
CONTRACTOR	Northeast Remco Construction	CONTRACT NO.	
BY	SA	DATE	08/17/07
CHK	AKA	DATE	08/18/07
JOB No	F07-8085	REV	A
DRG No	F07-8085_AB1		