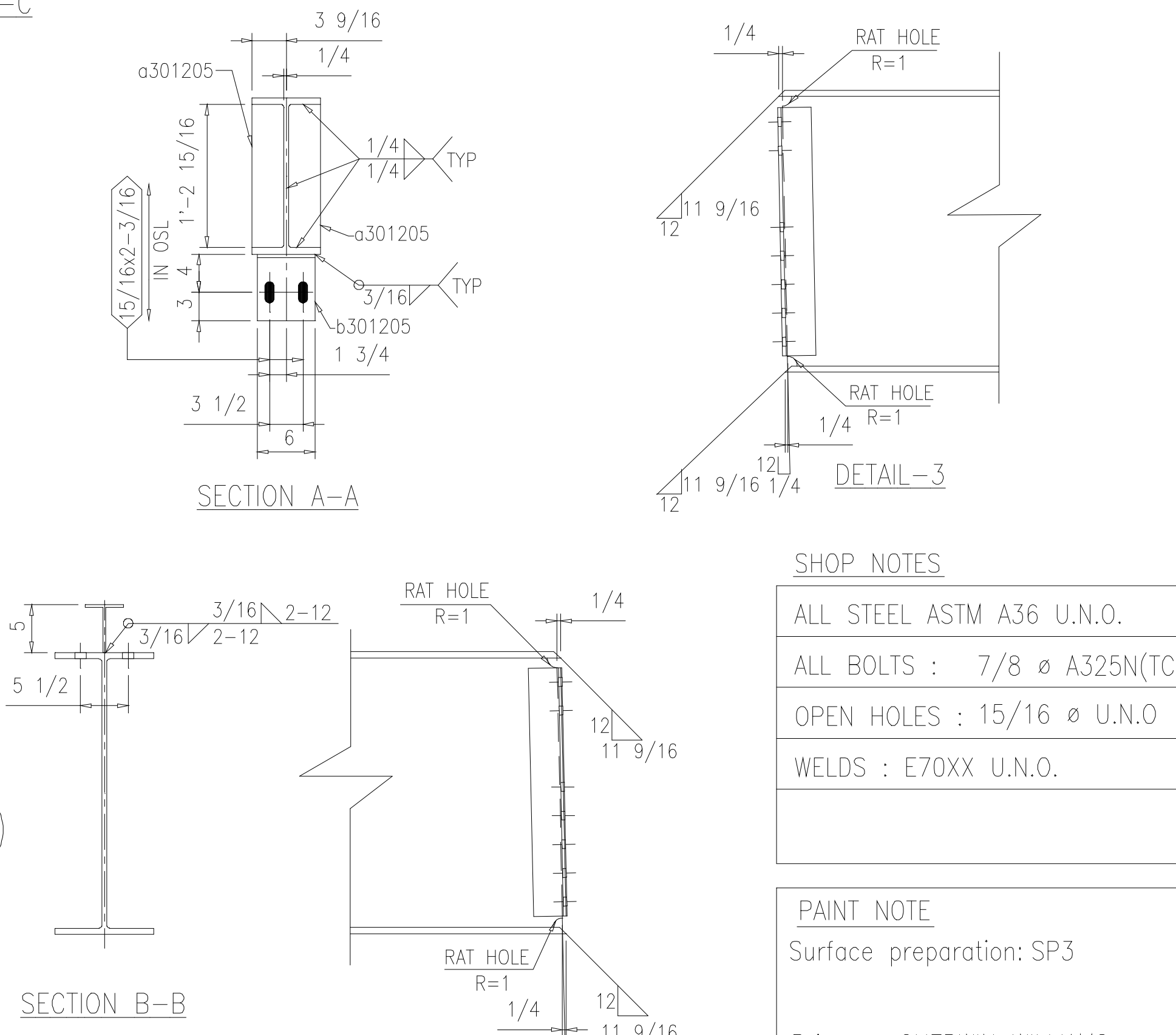
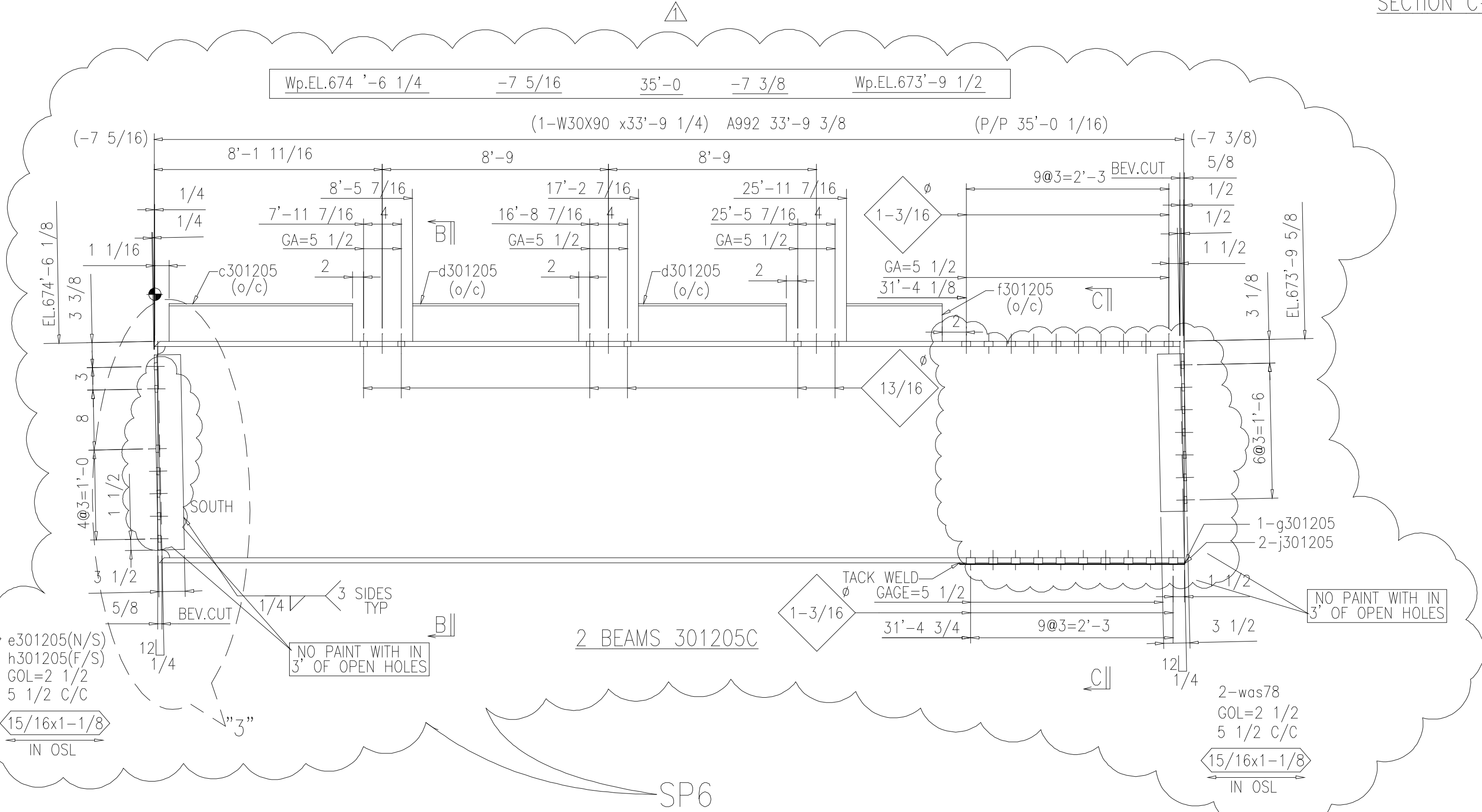
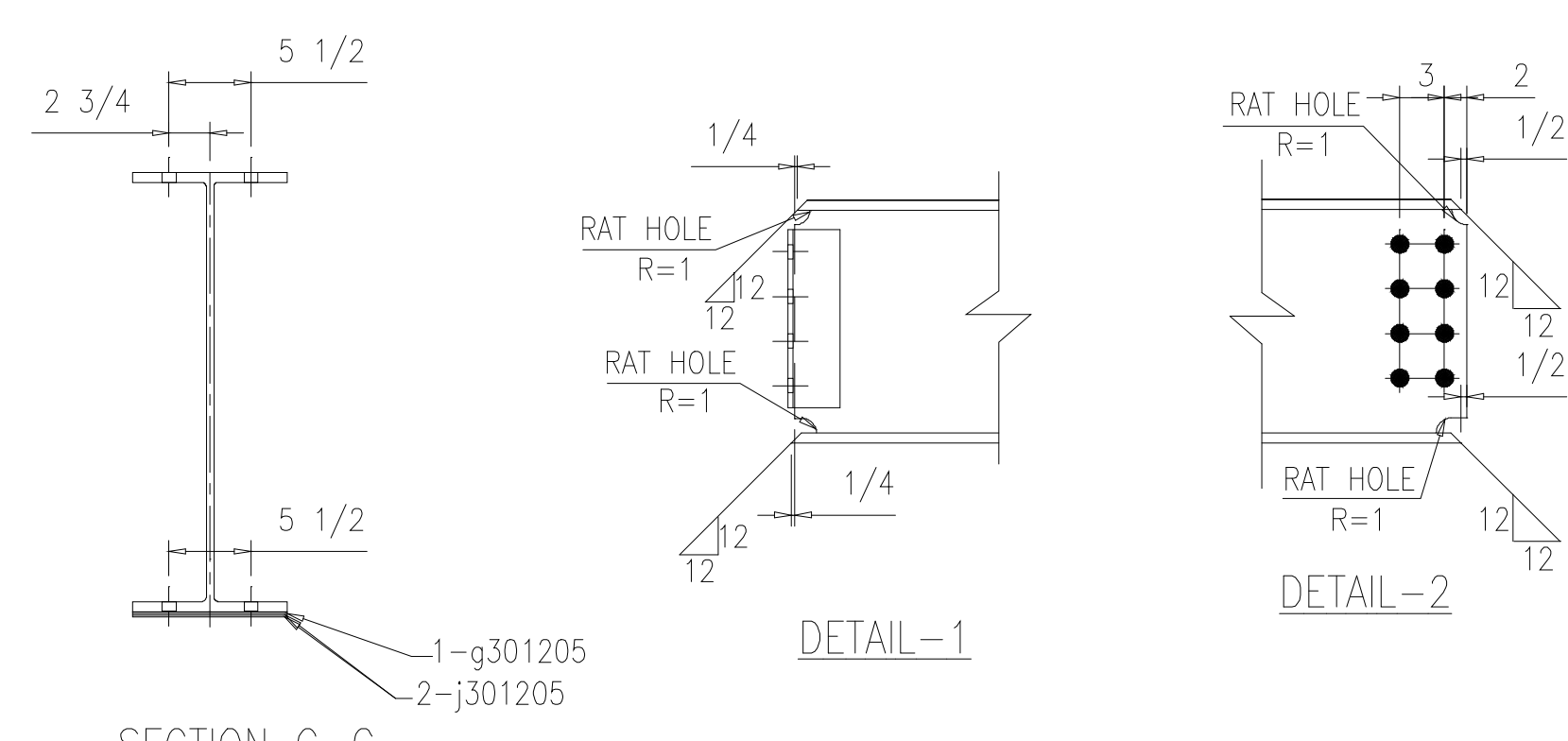
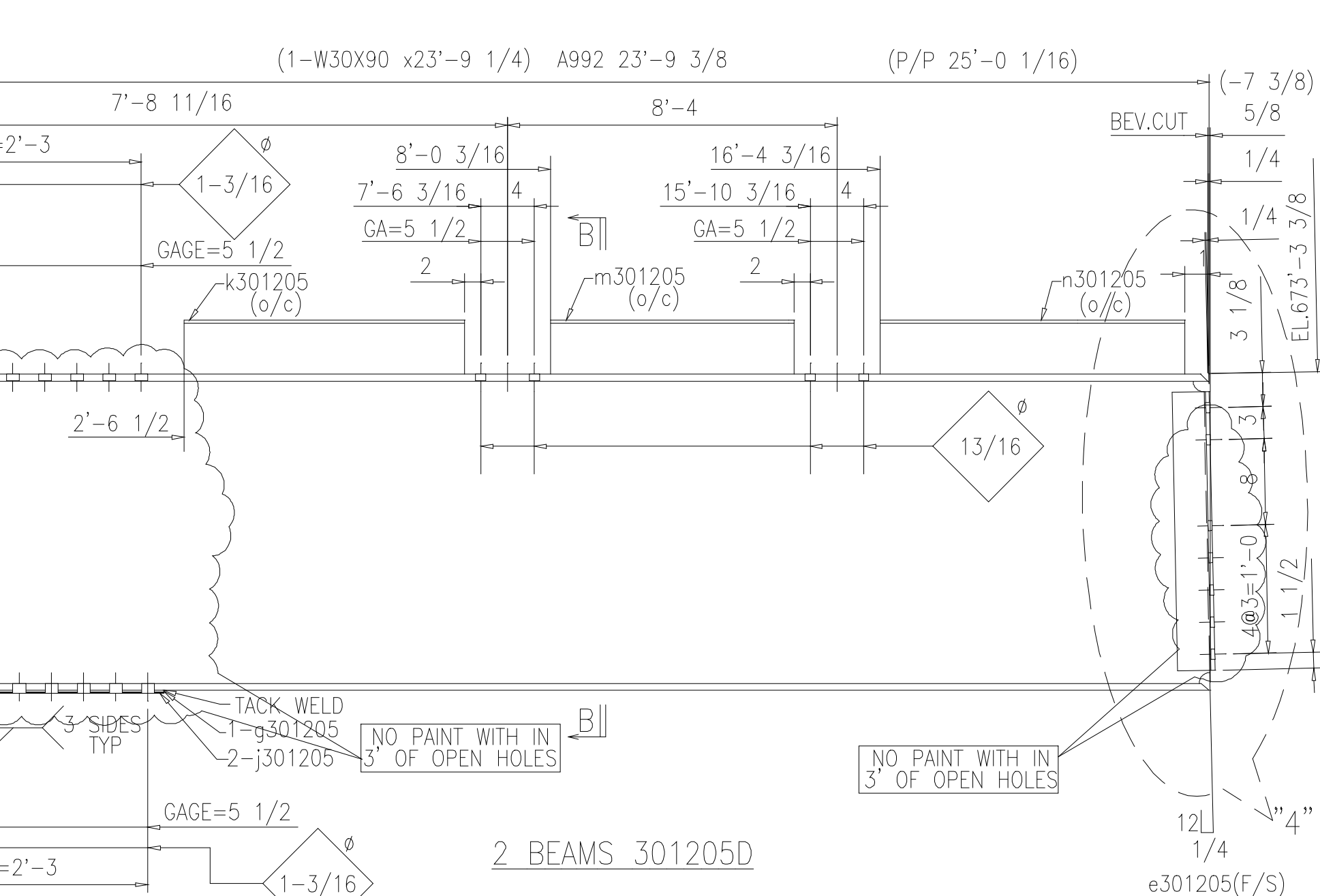


Wp.EL.673'-9 1/2'    -7 5/16'    25'-0'    -7 3/8'    Wp.EL.673'-3 1/4'



**SHOP NOTES**  
 ALL STEEL ASTM A36 U.N.O.  
 ALL BOLTS : 7/8 ø A325N(TC) U.N.O  
 OPEN HOLES : 15/16 ø U.N.O  
 WELDS : E70XX U.N.O.

**PAINT NOTE**  
 Surface preparation: SP3  
 Primer : SHERWIN WILLIAMS B50AW15

BILL OF MATERIAL							
Mark	QTY	MATERIAL		LENGTH		GRADE	REFERENCE
		Type	Size	Feet	Inch Fraction		
301205A	ONE	BEAM					
	1	W	16x57	28	8 7/8	A992	301-052
was48	2	L	4x3-1/2x3/8	1	0		
a301205	2	PL	3/8x3-5/16	1	2 15/16		
b301205	2	L	7x4x3/8	6			
301205B	ONE	BEAM					
	1	W	16x57	28	8 7/8	A992	301-052
was48	2	L	4x3-1/2x3/8	1	0		
301205C	2	BEAM					
	2	W	30x90	33	9 1/4	A992	301-054
h301205	2	L	4x3-1/2x3/8	2	2		
e301205	2	L	4x3-1/2x3/8	2	2		
was78	4	L	4x3-1/2x3/8	1	9		
j301205	4	PL	1/16x10	2	6		
g301205	2	PL	1/8x10	2	6		
c301205	2	WT	5x7.5	7	8 3/8	A992	
d301205	4	WT	5x7.5	8	1	A992	
f301205	2	WT	5x7.5	5	2 11/16	A992	
301205D	2	BEAM					
	2	W	30x90	23	9 1/4	A992	301-053
h301205	2	L	4x3-1/2x3/8	2	2		
e301205	2	L	4x3-1/2x3/8	2	2		
was78	4	L	4x3-1/2x3/8	1	9		
j301205	4	PL	1/16x10	2	6		
g301205	2	PL	1/8x10	2	6		
k301205	2	WT	5x7.5	4	9 11/16	A992	
m301205	2	WT	5x7.5	7	8	A992	
n301205	2	WT	5x7.5	7	3 3/8	A992	