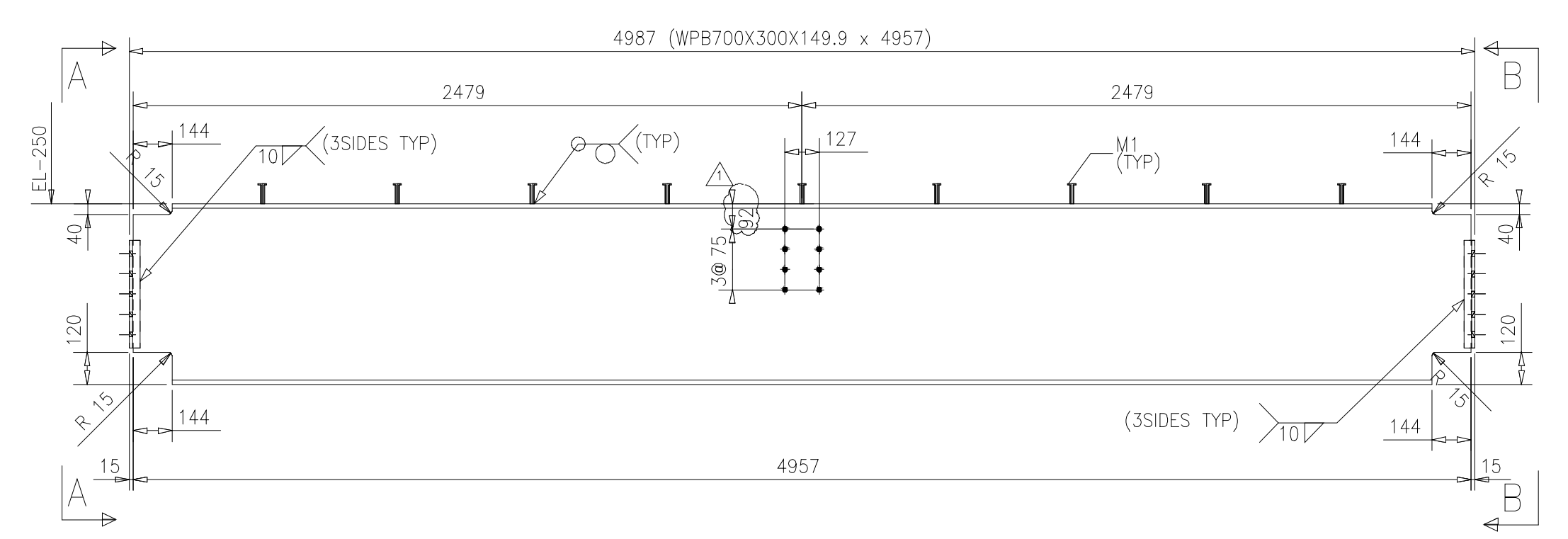
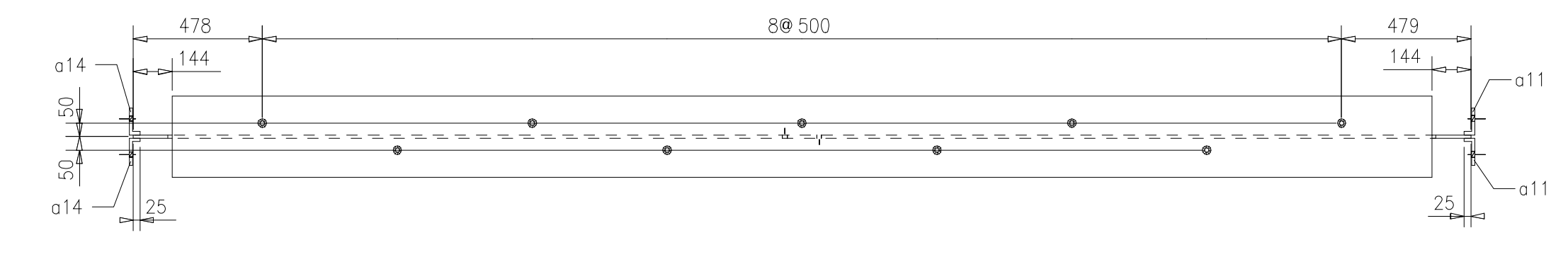
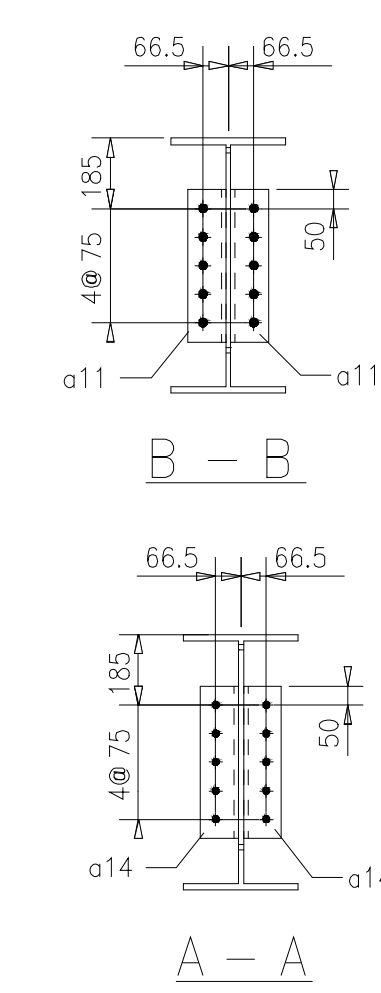
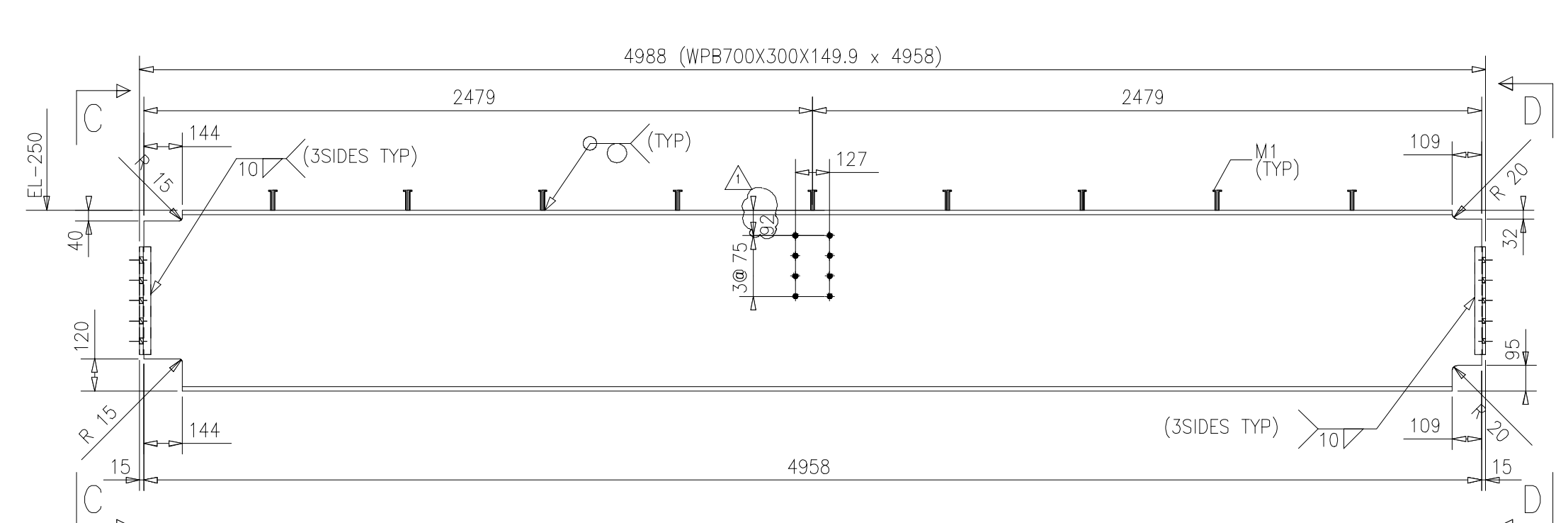
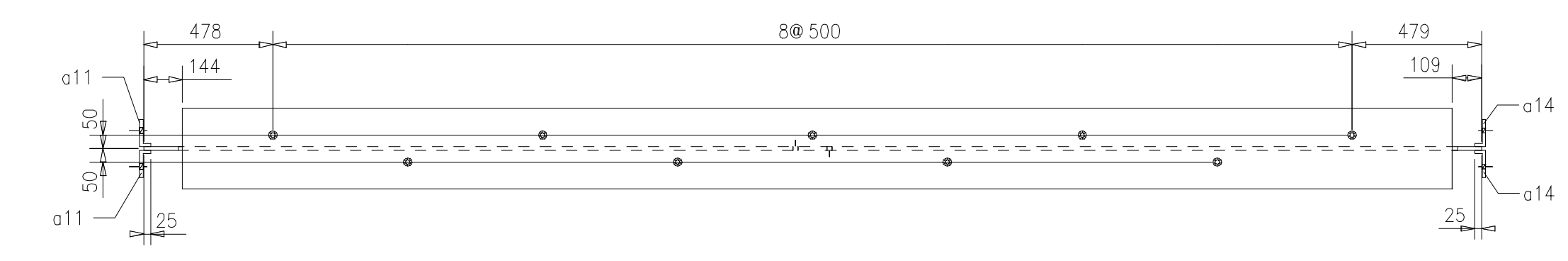
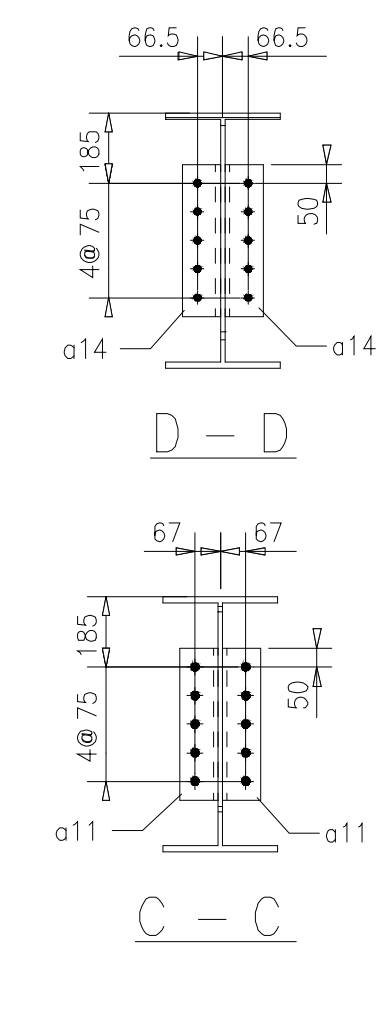


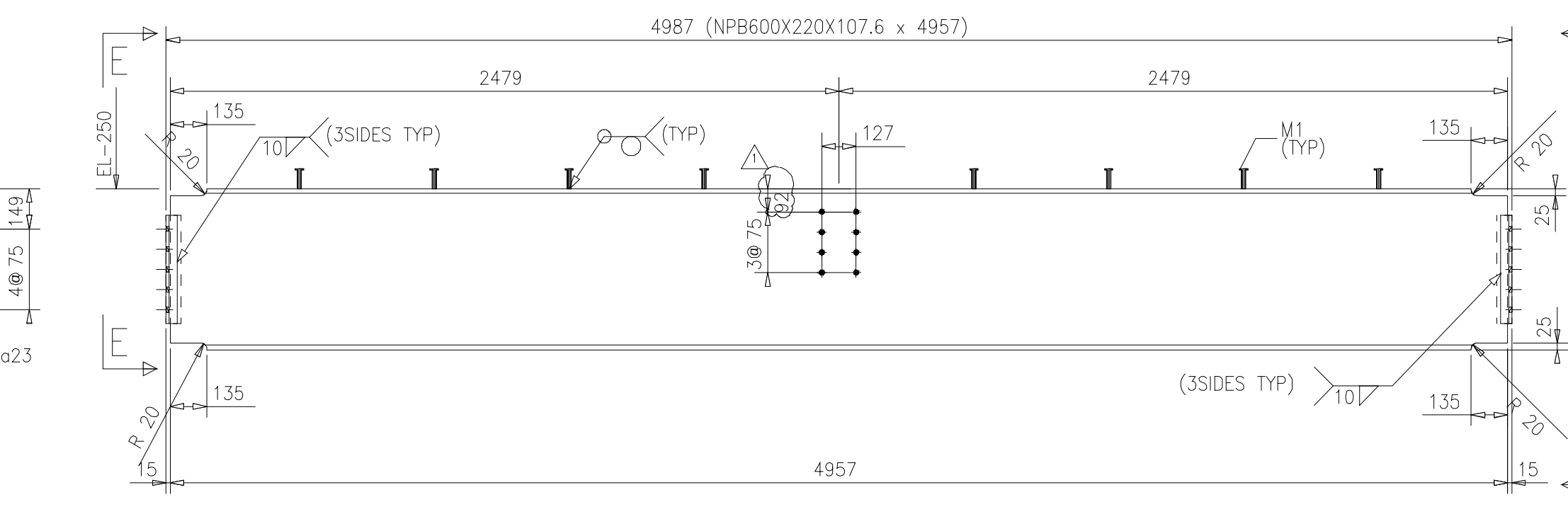
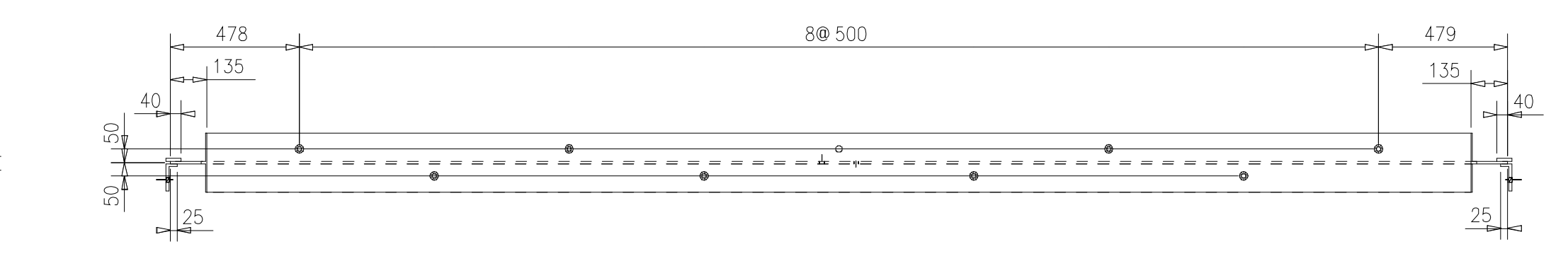
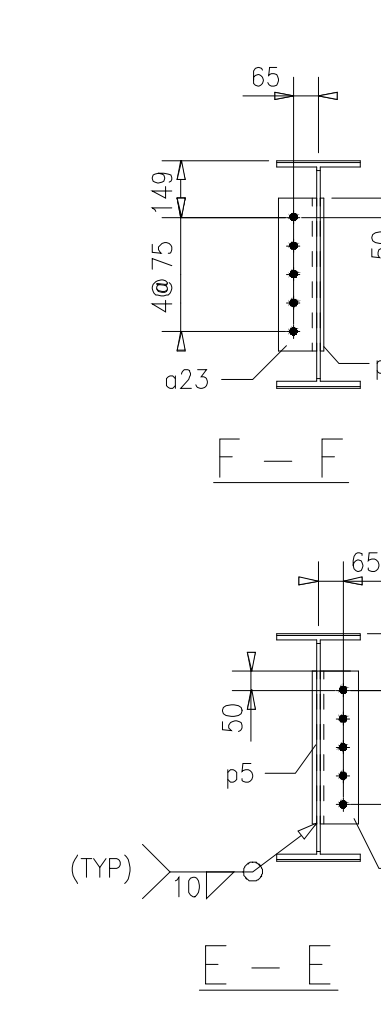
1	11	12	13	14
Rev.	Next	Next	Next	Next
01	02	03	04	05



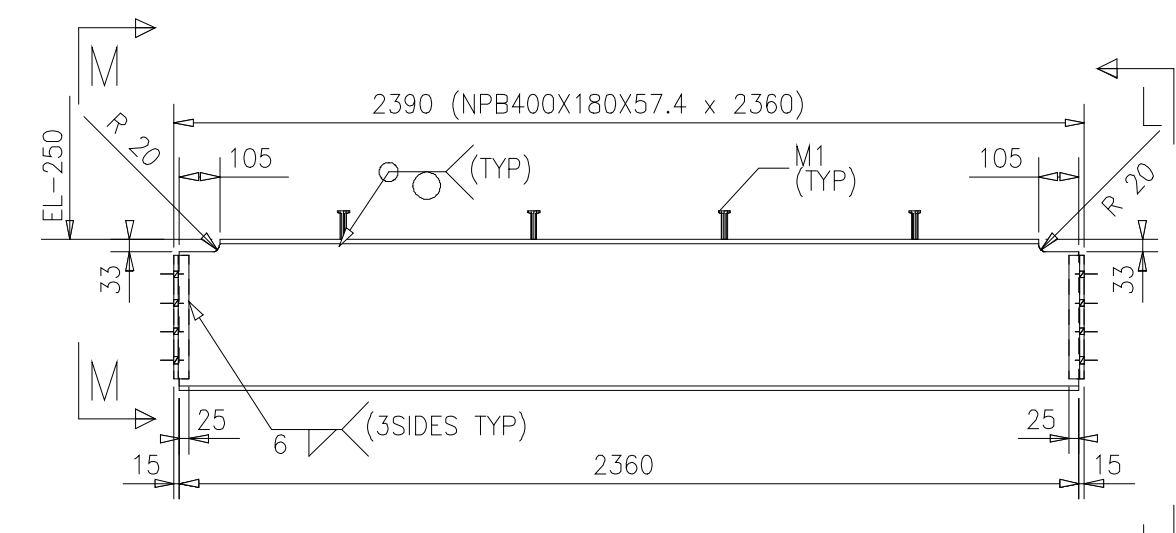
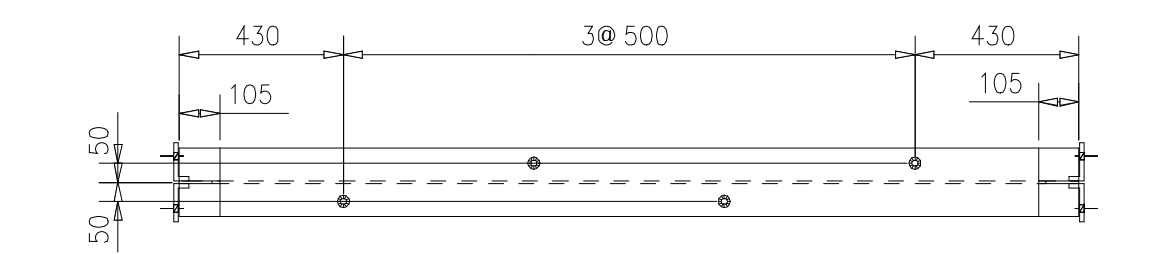
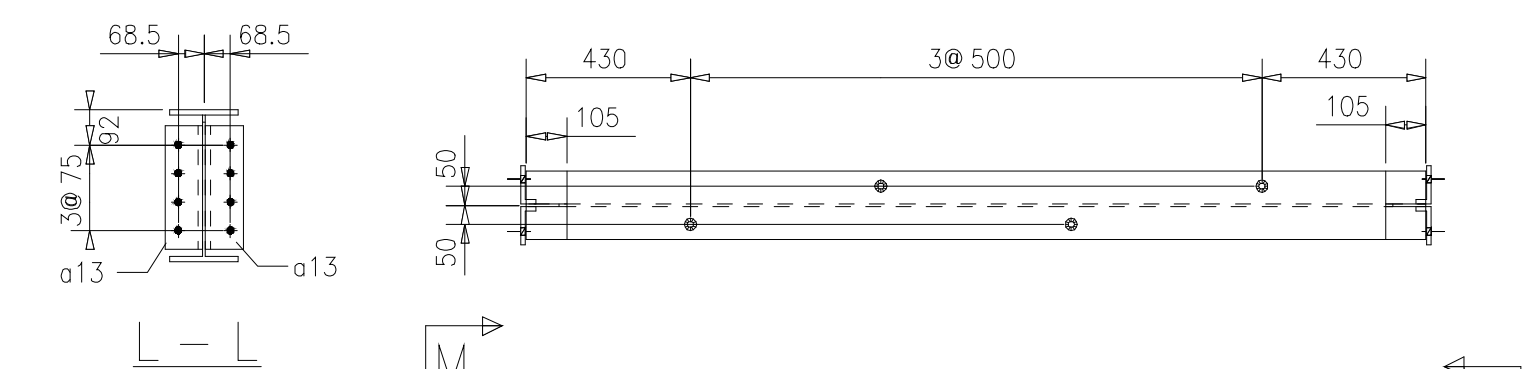
6 NO. BEAM REQD. AS DRAN. MKD. 13B1



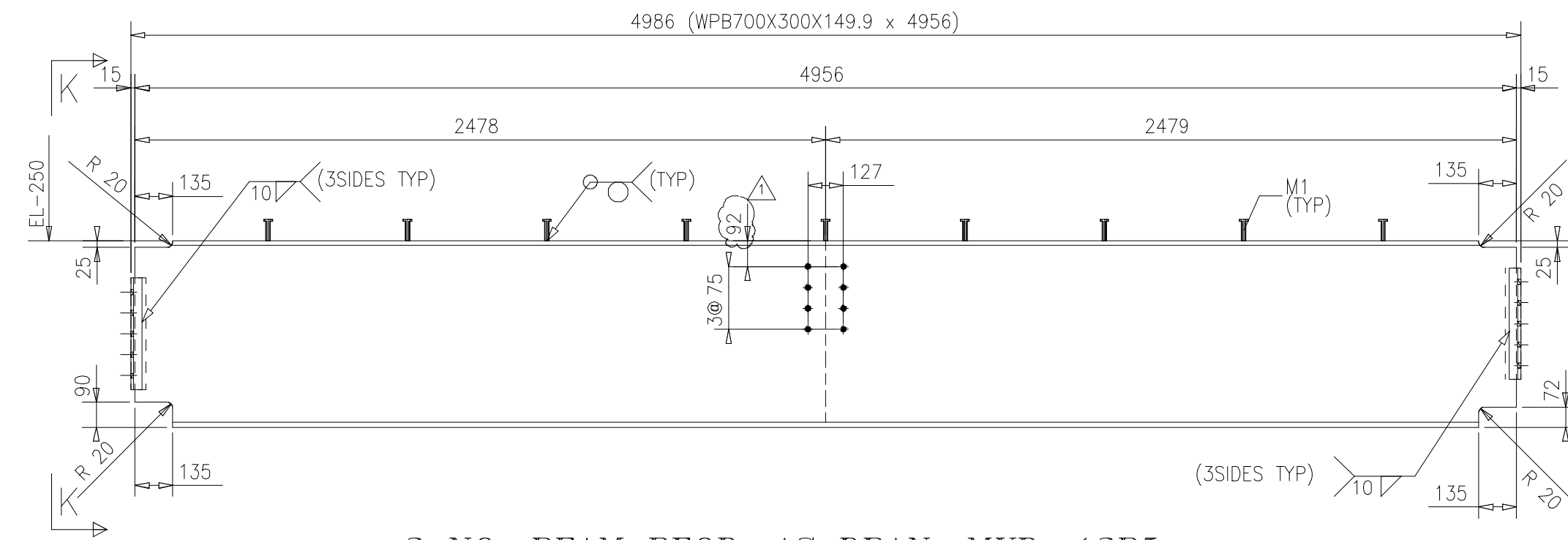
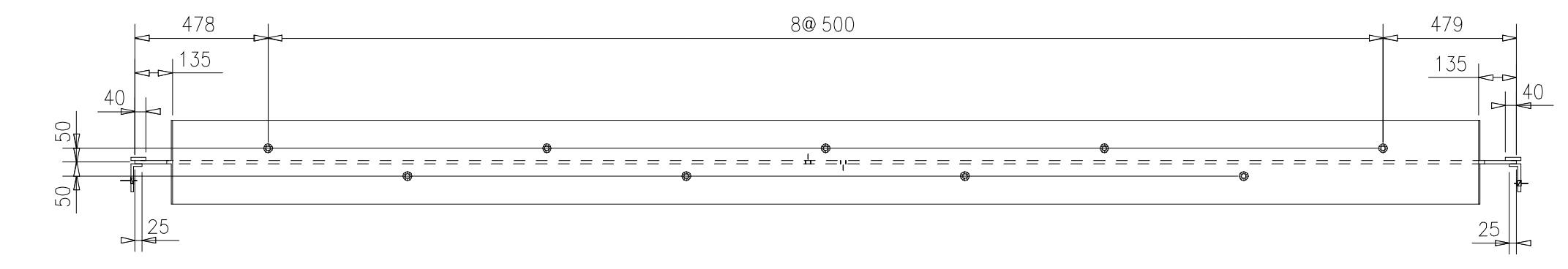
3 NO. BEAM REQD. AS DRAN. MKD. 13B2



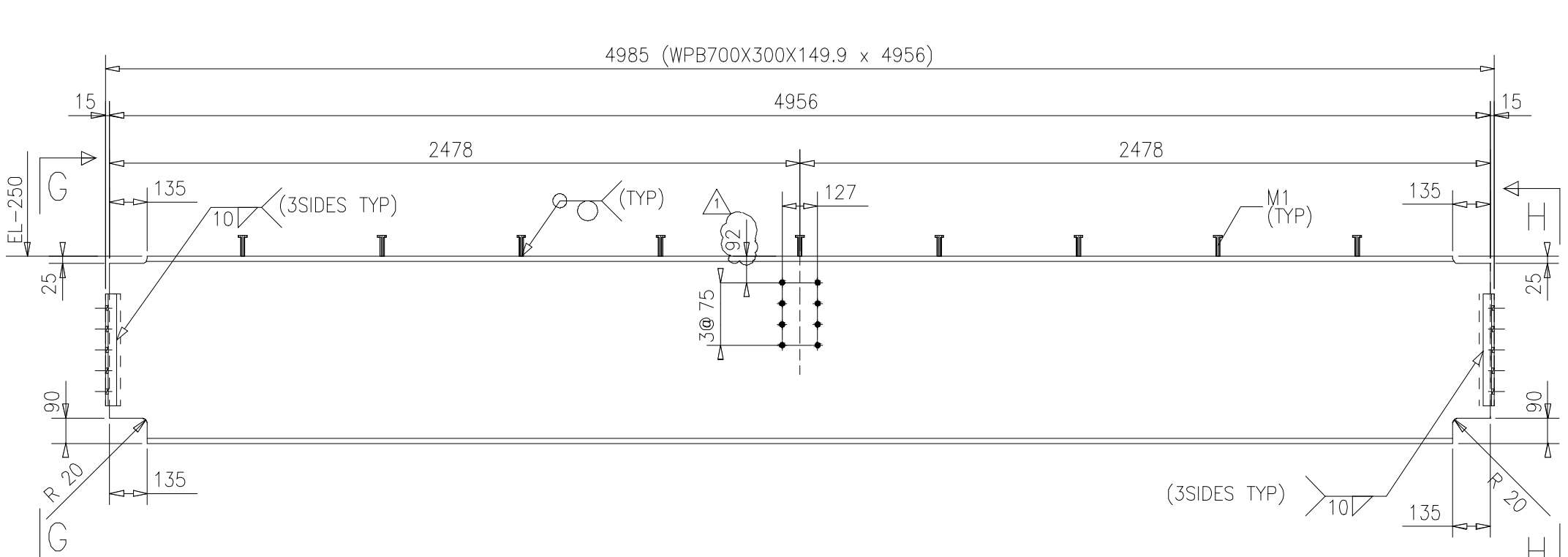
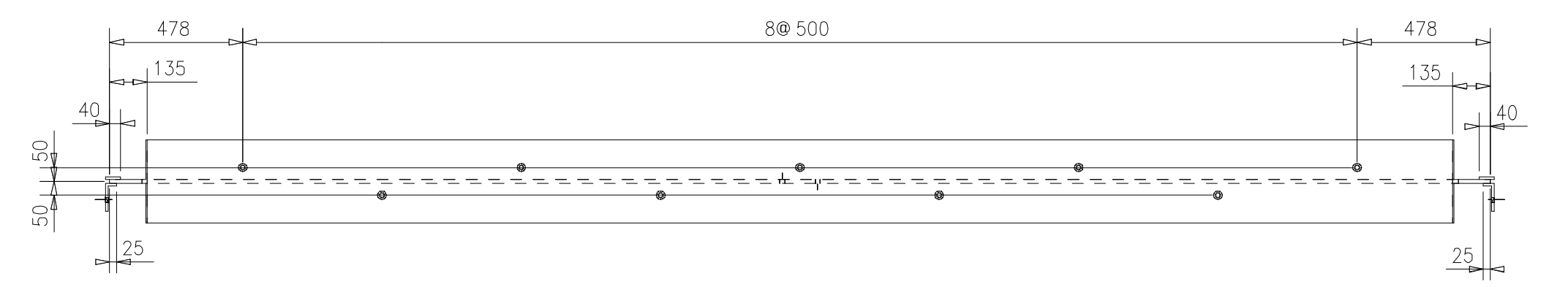
4 NO. BEAM REQD. AS DRAN. MKD. 13B3



6 NO. BEAM REQD. AS DRAN. MKD. 13B6

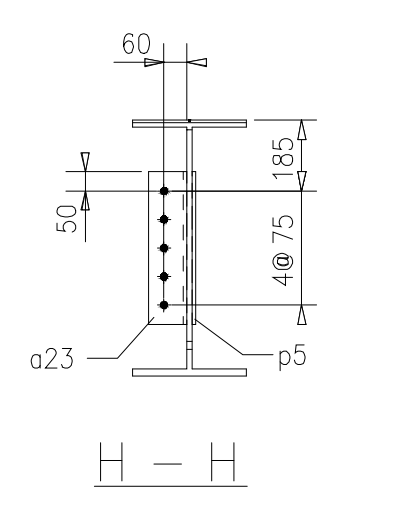
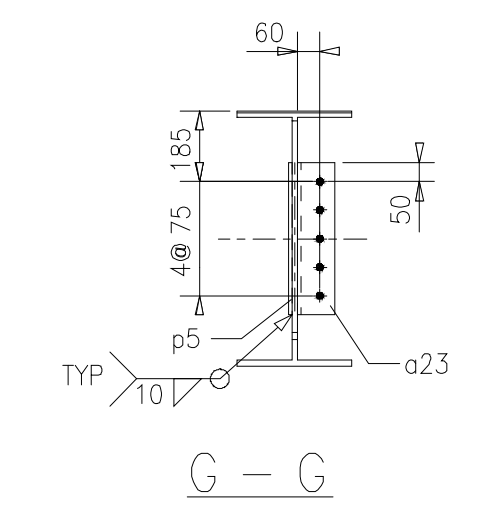
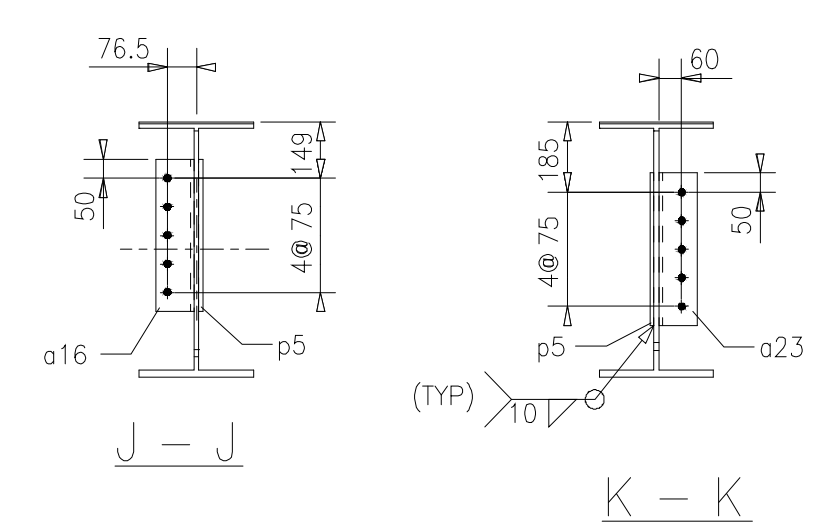


3 NO. BEAM REQD. AS DRAN. MKD. 13B5
3 NO. BEAM REQD. OPP. HAND. 13B5X



3 NO. BEAM REQD. AS DRAN. MKD. 13B4

BILL OF MATERIALS										
ITEM NO.	QTY	UNIT	DESCRIPTION	REMARKS	DATE	BY	CHKD.	APPD.	REVISION	REMARKS
13B1	6	NO.	WPB700X300X149.9							
13B2	3	NO.	WPB700X300X149.9							
13B3	4	NO.	NPB600X220X107.6							
13B4	3	NO.	WPB700X300X149.9							
13B5	3	NO.	WPB700X300X149.9							
13B6	6	NO.	NFB400X180X57.4							
GRAND TOTAL										



KORUS Engg. Solutions Pvt. Ltd.
This Drawing is the Property of KORUS Engg. Solutions Pvt. Ltd. and as such it should not be used in any way whatsoever without their permission in writing.
It is returnable on completion of the order for which it has been issued.

NOTES & SPECIAL NOTE REF. DRG. NO.2

17.09.07	REVISED AS MARKED	AKT.	S.K.	A.K.A.	D.D.K.
11.09.07	RELEASED FOR CONSTRUCTION	Design	Drawn	Chkd.	Appd.

1.0 MTPA BAR MILL, 0.6 MTPA WIRE ROD MILL & BILLET STORAGE BAY
ZONE-10 ELECTRICAL CONTROL ROOM-2
DETAIL OF BEAMS

KORUS Engg. Solutions Pvt. Ltd. Scale 1:20
0628-718
13 Next 14

ASW STEEL LTD.
P.A. VERGALIA - 0628
BILLET-04, KURUKULAI