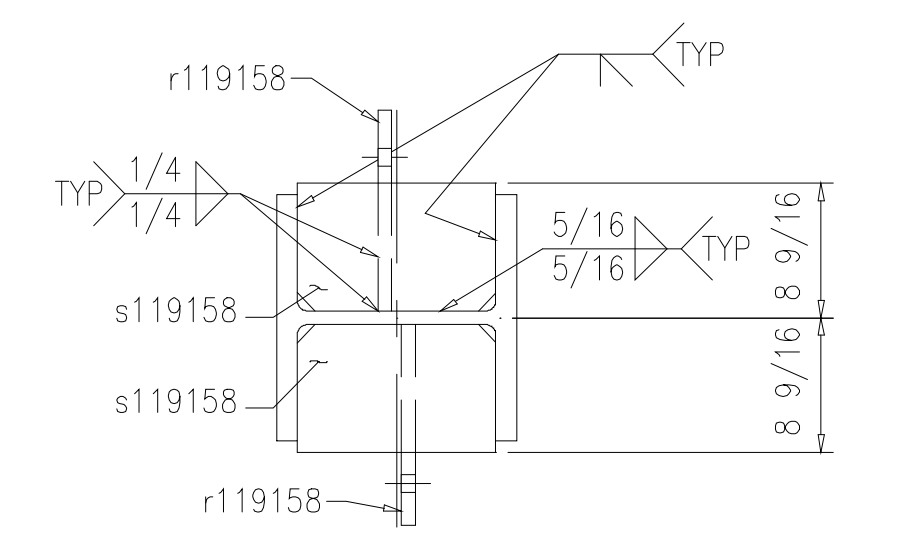


BILL OF MATERIAL

Mark	QTY	MATERIAL		LENGTH			GRADE	REFERENCE
		Type	Size	Feet	Inch	Fraction		
119158A	ONE	COLUMN						
a119158	1	W	14x159	21	0	3/4	A992	119-004 F.2.E
bp4	1	PL	2-1/4x24	2	2			
spf-5	2	PL	1-1/4x12-1/2	1	2			
spw-1	2	FB	3/8x10	1	0	1/2		
sb103SC	4	HS	7/8 Dia	2	3/4		A325SC	1 HD WASH & NUT
sb207SC	8	HS	1-1/8 Dia	4	1/4		A490SC	1 HD WASH & NUT
j119158	1	PL	1-1/4x30-3/4	2	9	1/4		
k119158	1	PL	1-1/4x7-7/16	2	0			
m119158	2	PL	3/8x7-7/16	1	0	9/16		
n119158	1	PL	1-3/4x4-3/4	2	2			
119158B	ONE	COLUMN						
b119158	1	W	14x159	21	5	7/16	A992	119-012 F.2.E
c119158	1	PL	5/8x11-7/16	1	10	3/8		
d119158	1	PL	1x8-3/16	1	0	9/16	A572 GR-50	
e119158	1	PL	1x16	1	4	3/8	A572 GR-50	
f119158	1	FB	1/2x6		6			
g119158	2	PL	1-1/8x8-3/16	1	0	9/16	A572 GR-50	
h119158	1	PL	5/8x11-7/16	2	3	3/4		
p119158	1	PL	1-1/8x7-7/16	1	0	9/16	A572 GR-50	
q119158	2	PL	1-3/8x8-3/16	1	0	9/16	A572 GR-50	
r119158	2	PL	5/8x11-7/16	2	3	5/8		
s119158	2	PL	1-1/4x8-3/16	1	0	9/16	A572 GR-50	



SECTION F-F

ERECTOR NOTE
REMOVE LIFTING LUG AFTER INSTALLATION OF COLUMN

SHOP NOTES

- ALL STEEL ASTM A36 U.N.O.
- ALL BOLTS : 7/8ø U.N.O.
- OPEN HOLES : 15/16ø U.N.O.
- WELDS : E70XX U.N.O.

PAINT NOTE

- Surface preparation: SP2
- Primer : NO PAINT