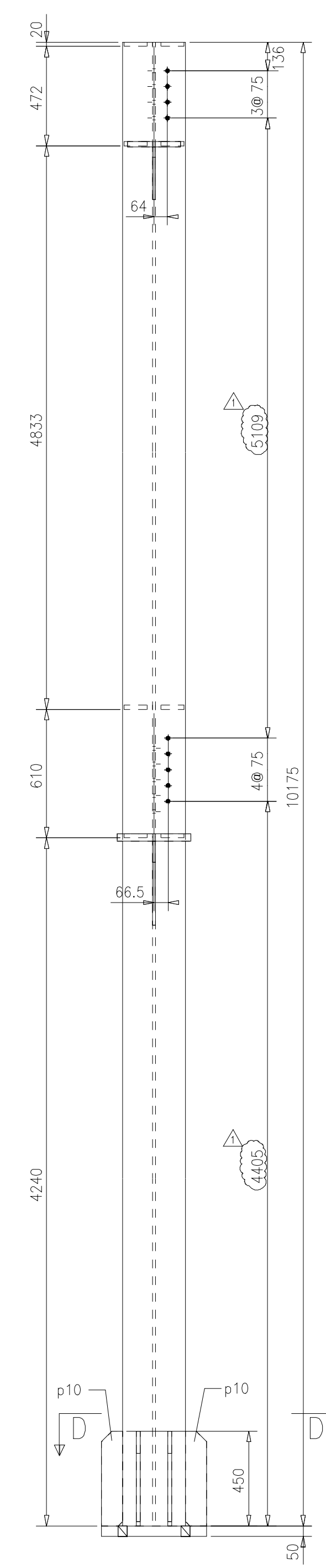
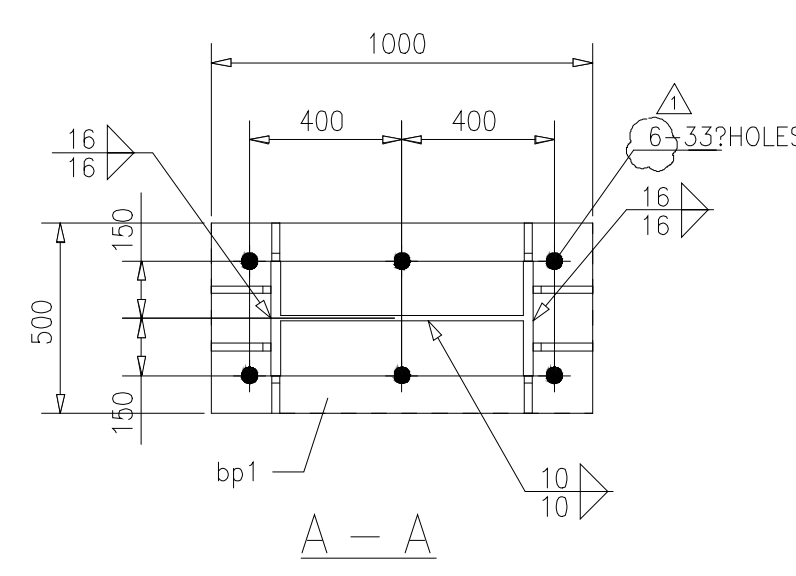
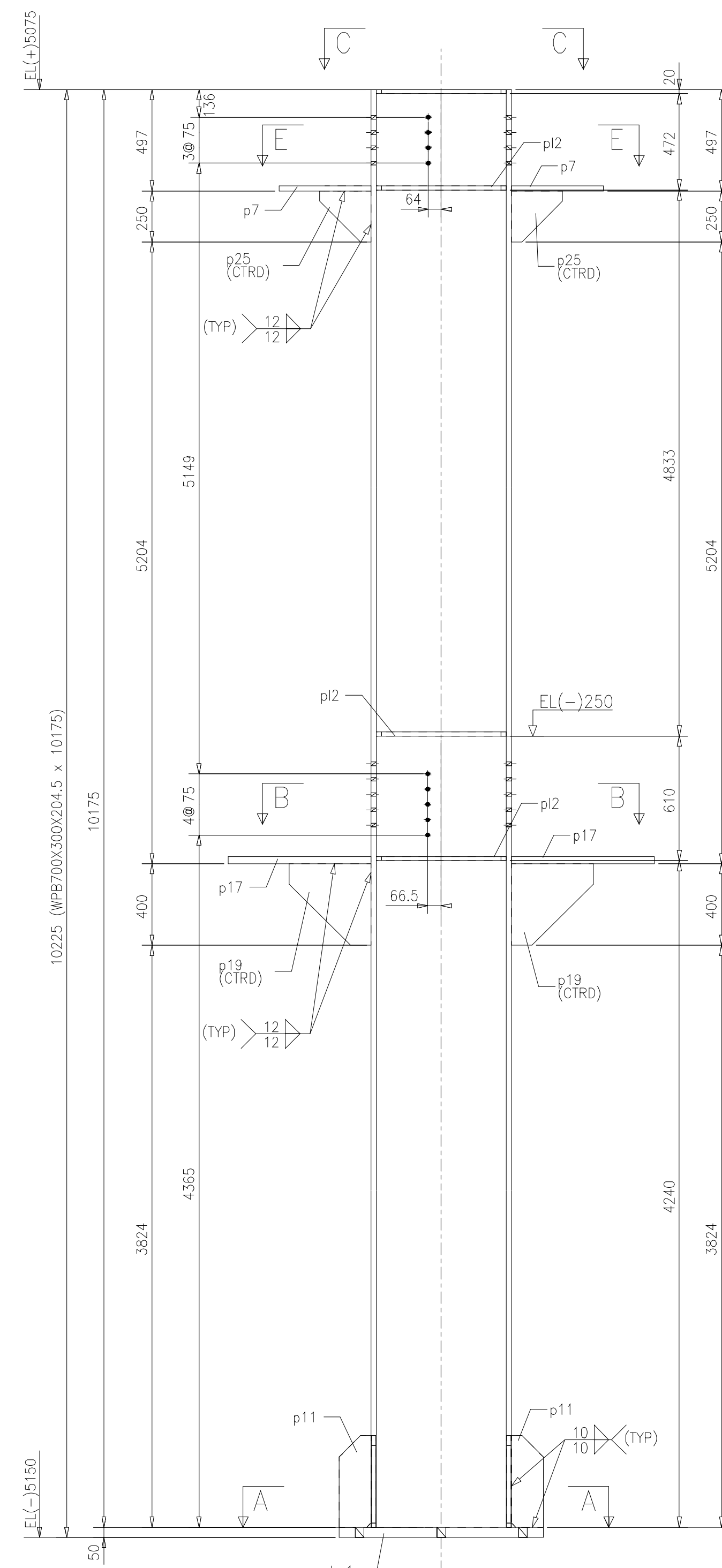


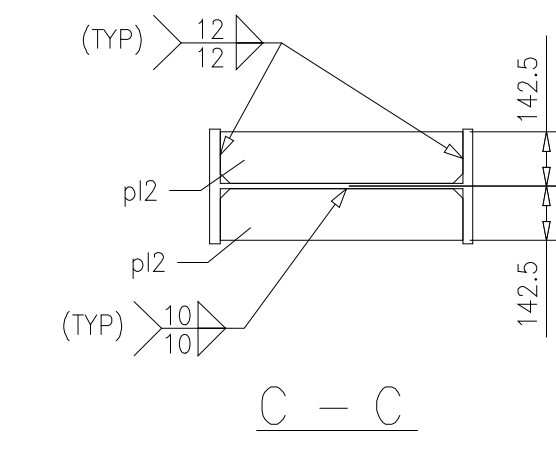
ONE NO. COLUMN REQD. AS DRAN. MKD. 18C1



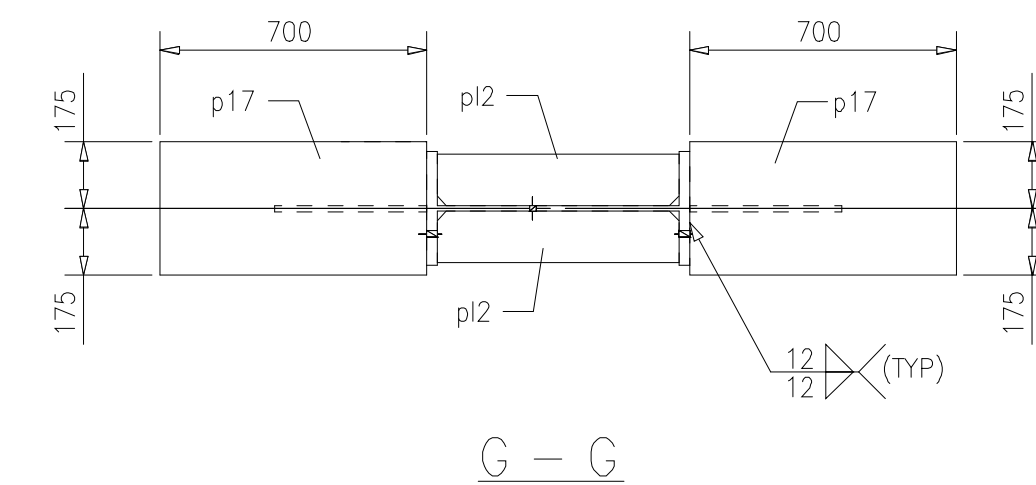
B - B



2 NO. COLUMN REQD. AS DRAN. MKD. 18C2

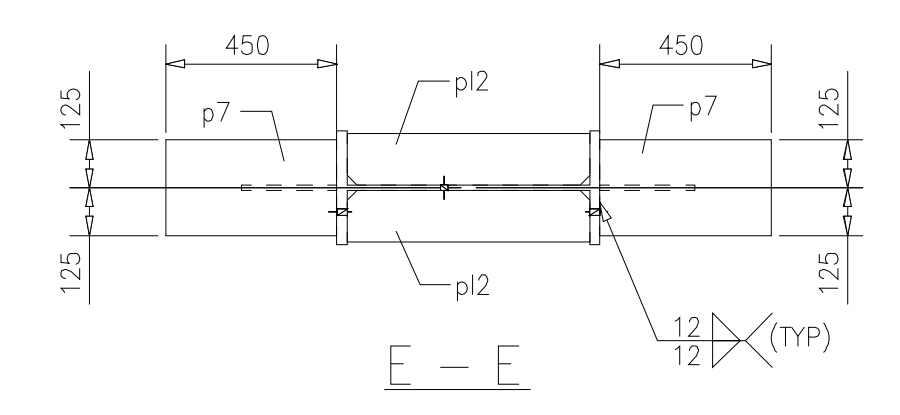


C - C



G - G

BILL OF MATERIALS											
ITEM NO.	QTY	UNIT	DESCRIPTION	GRADE	SIZE	LENGTH	WEIGHT	NET WT.	NET WT.	NET WT.	REMARKS
18C1	1	NO.	10225 (MPB700X300X204.5 x 10175)	IS200	1	10175	286.7	286.7	286.7		
18C2	2	NO.	10225 (MPB700X300X204.5 x 10175)	IS200	2	10175	573.4	573.4	573.4		
GRAND TOTAL										1120.1	



E - E

KORUS Engg. Solutions Pvt. Ltd.  
This Drawing is the Property of KORUS Engg. Solutions Pvt. Ltd. and as such it should not be used in any way whatsoever without their permission in writing.  
It is returnable on completion of the order for which it has been issued.

NOTES & SPECIAL NOTE REF. DRG. NO.7 & 8

Rev. No.	Date	Description	Design	Drawn	Chkd.	Appd.
0	11.09.07	RELEASED FOR CONSTRUCTION	A.K.I.	S.K.	A.K.A.	D.D.K.
1	17.09.07	REVISED AS MARKED				

1.0 MTPA BAR MILL, 0.6 MTPA WIRE ROD MILL & BILLET STORAGE BAY  
ZONE-10 (ELECTRICAL CONTROL ROOM-2)  
DETAIL OF BEAMS

KORUS Engg. Solutions Pvt. Ltd.

Scale: 1:20

Design: A.K.I.  
Drawn: S.K.  
Chkd: A.K.A.  
Appd: D.D.K.  
Date: 31.08.07

Size: 0628-718  
Sheet: 18 of 19

Rev. 1

JSW STEEL LTD.

P.O. TECHNICAL - 80070  
BILLET-MILL, KANKARWALA