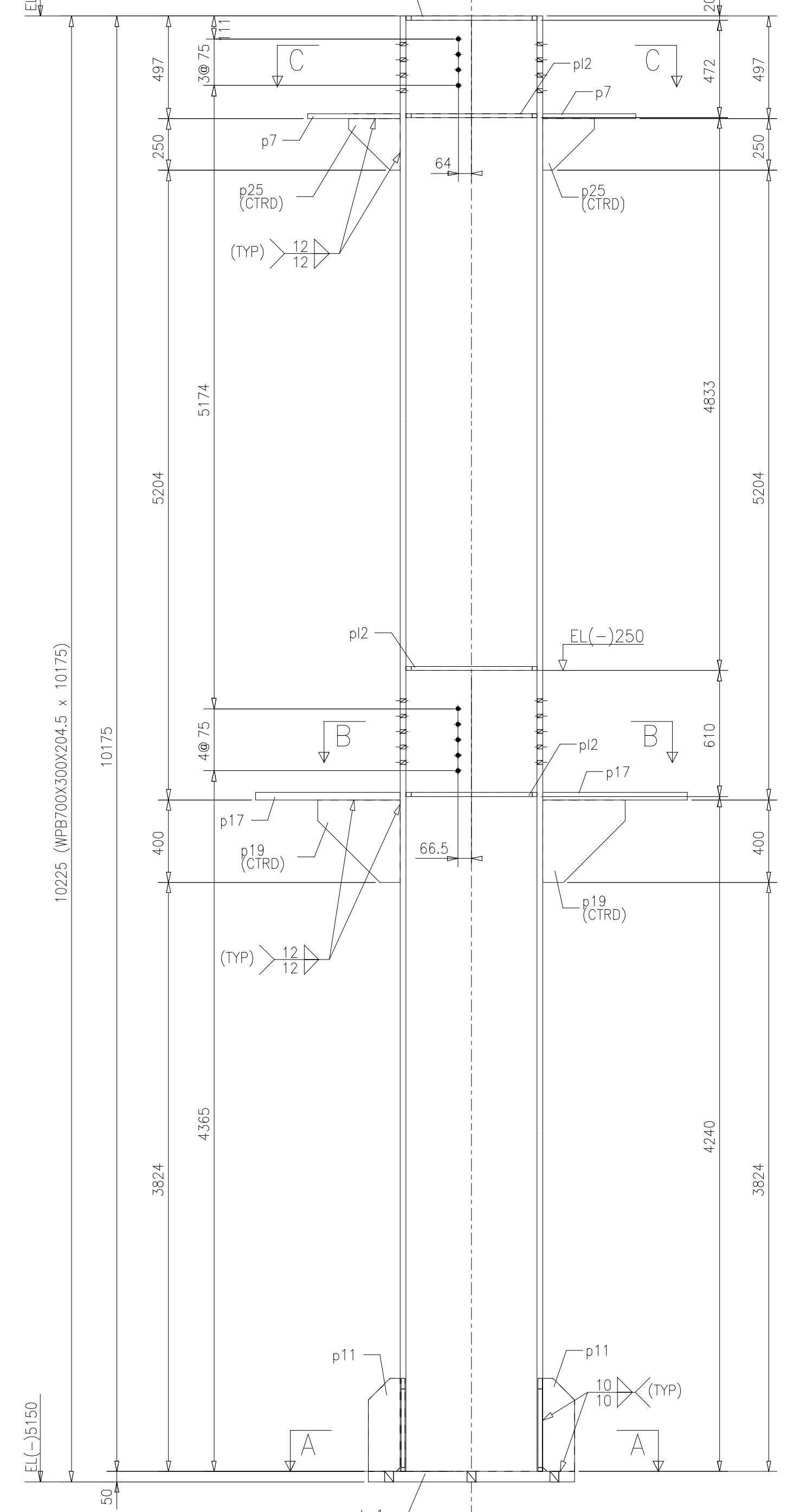
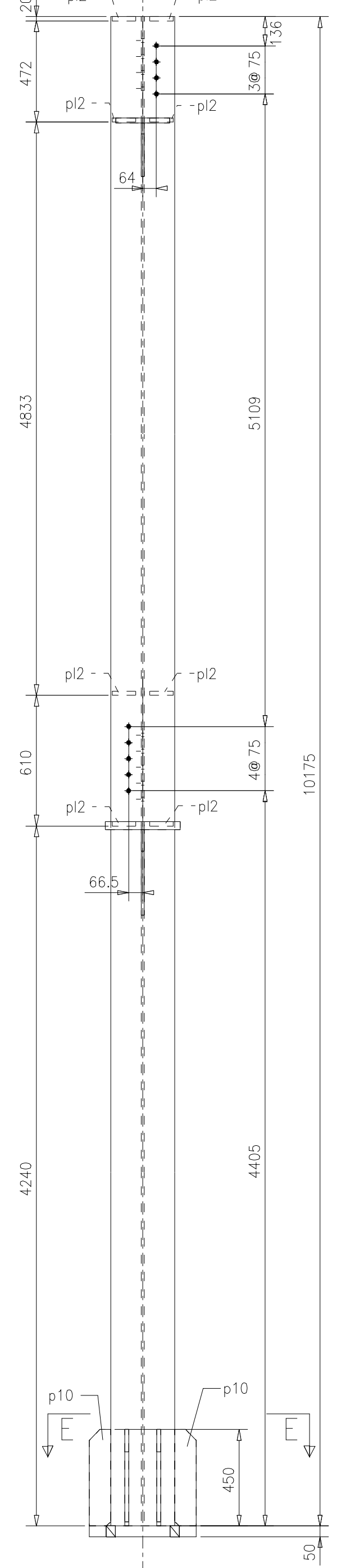
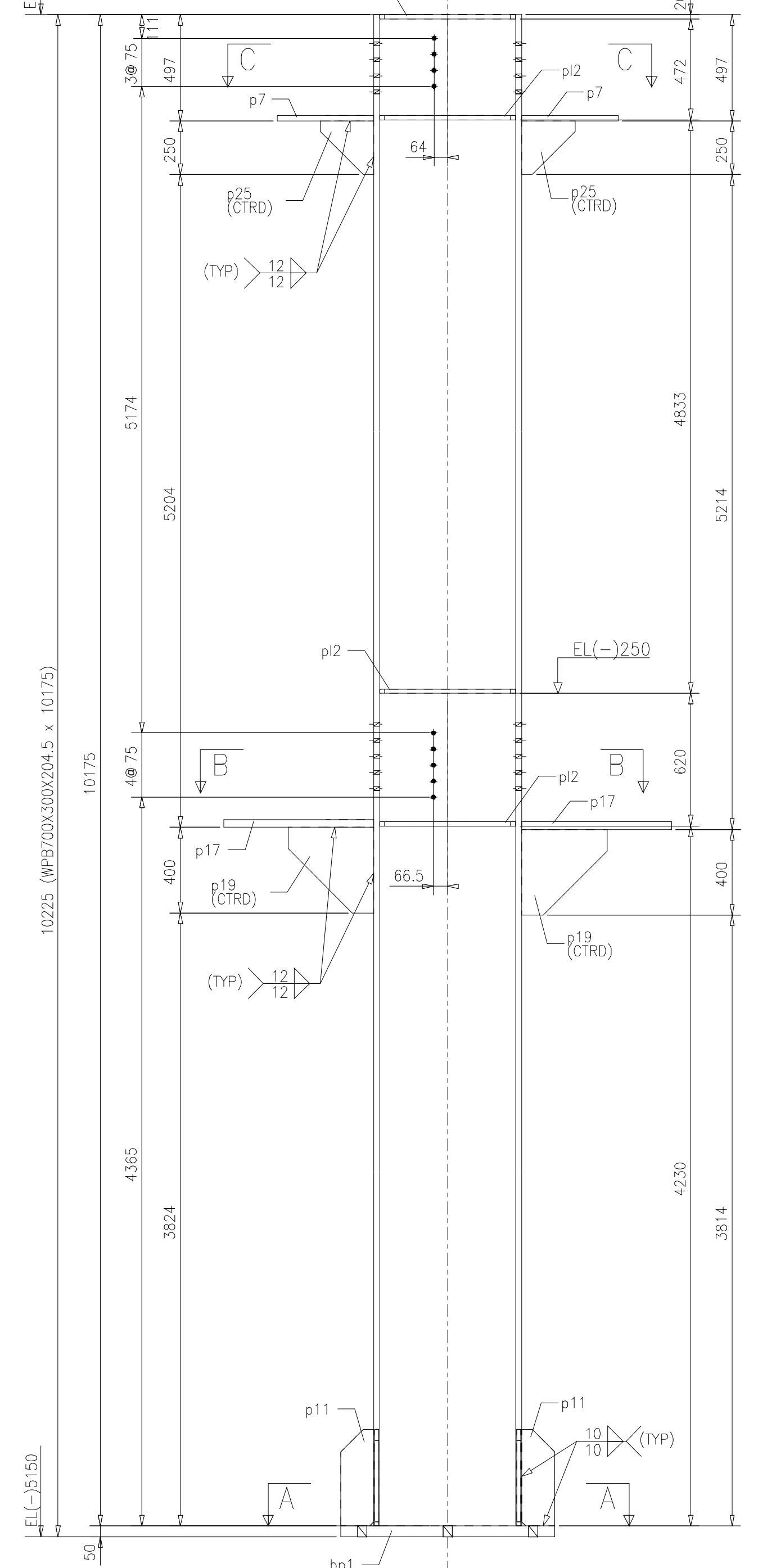
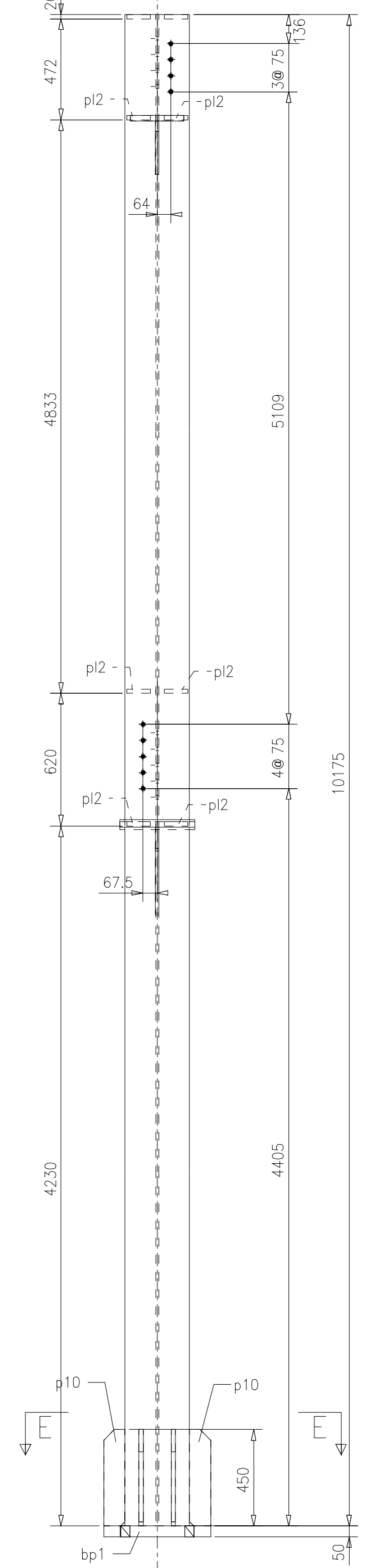
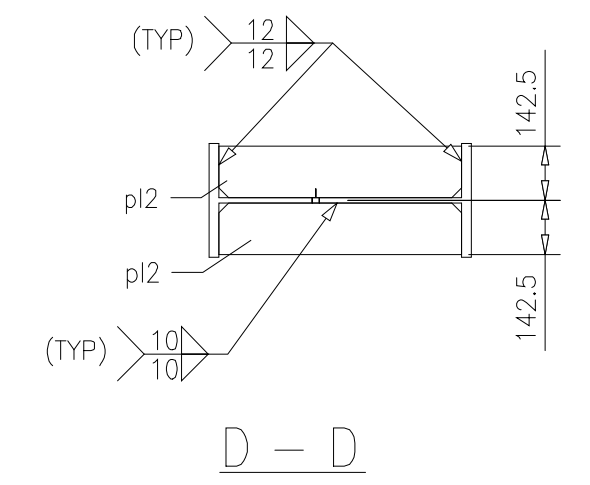
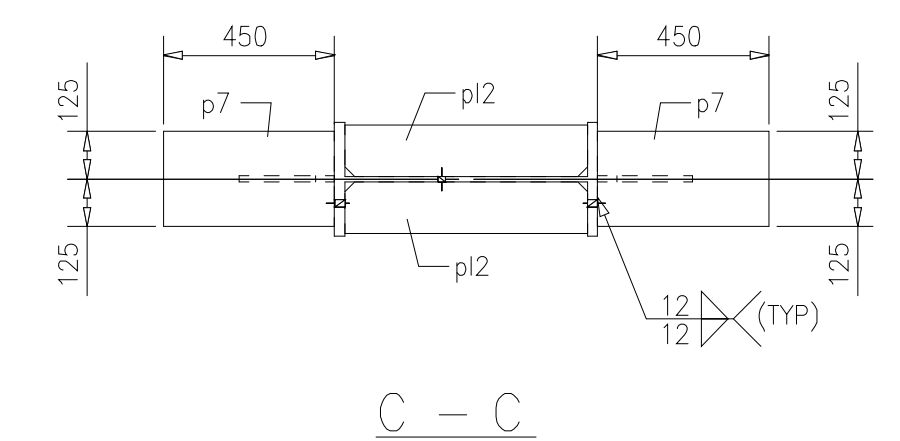
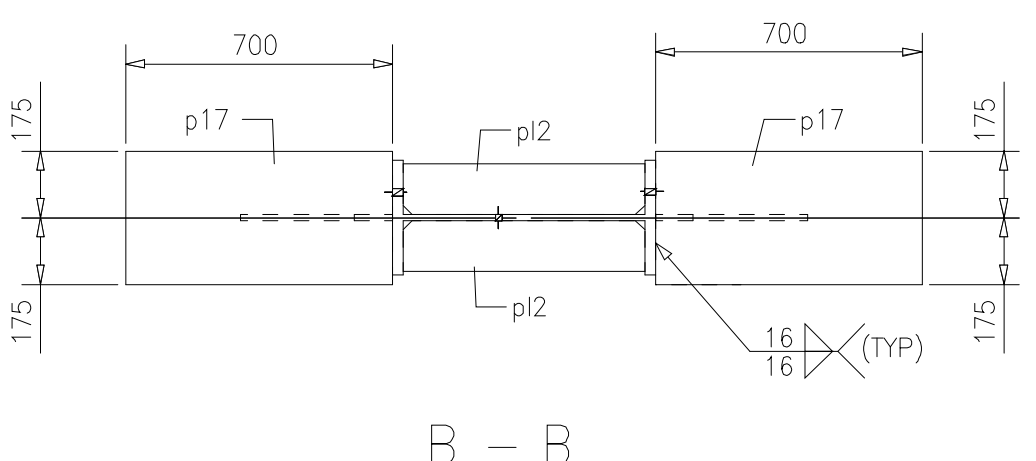
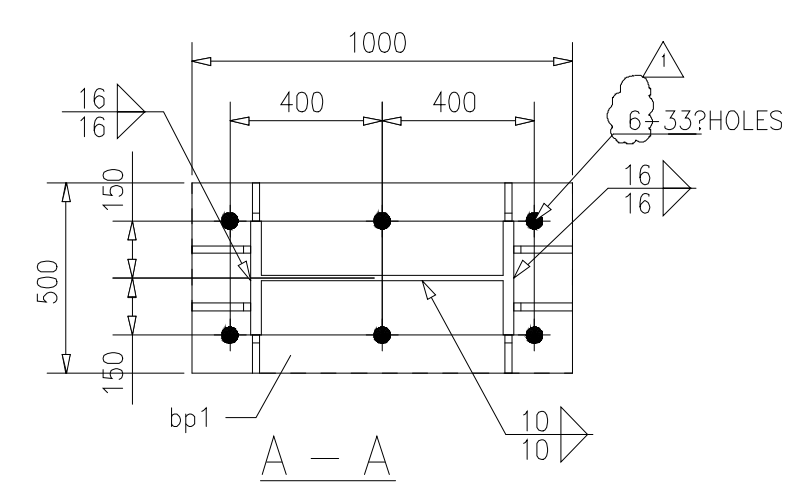
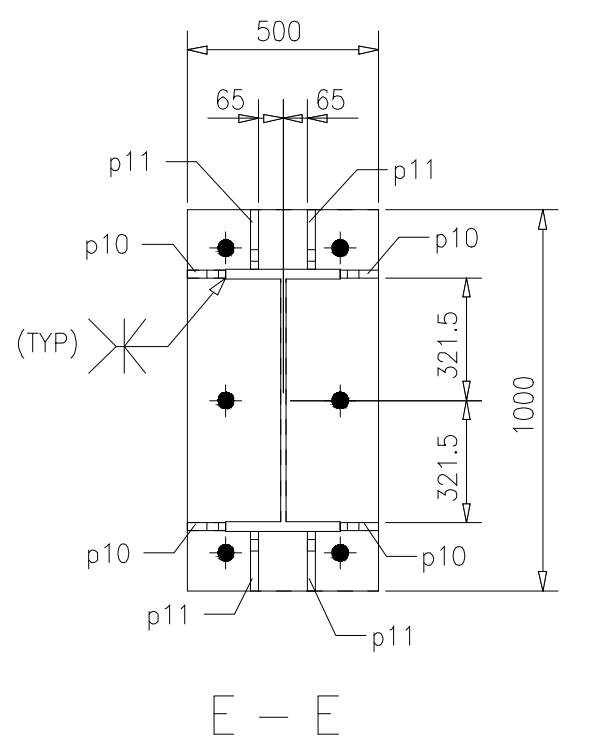


BILL OF MATERIALS											
ITEM #	QTY	UNIT	DESCRIPTION	GRADE	SIZE	LENGTH	WEIGHT	REMARKS	DATE	BY	CHKD.
19C1	1	NO.	AS DRAN. MKD. 19C1	IS200	200	10175	10175				
19C2	2	NO.	AS DRAN. MKD. 19C2	IS200	200	10175	10175				
GRAND TOTAL											



ONE NO. COLUMN REQD. AS DRAN. MKD. 19C1

2 NO. COLUMN REQD. AS DRAN. MKD. 19C2



KORUS Engg. Solutions Pvt. Ltd.
This Drawing is the Property of KORUS Engg. Solutions Pvt. Ltd. and as such it should not be used in any way whatsoever without their permission in writing.
It is returnable on completion of the order for which it has been issued.

NOTES & SPECIAL NOTE REF. DRG. NO.7 & 8

Rev. No.	Date	Description	Design	Drawn	Chkd.	Appd.
1	17.09.07	REVISED AS MARKED				
2	11.09.07	RELEASED FOR CONSTRUCTION	A.K.I.	S.K.	A.K.A.	D.D.K.

1.0 MTPA BAR MILL, 0.6 MTPA WIRE ROD MILL & BILLET STORAGE BAY
ZONE-10 (ELECTRICAL CONTROL ROOM-2)
DETAIL OF BEAMS

KORUS Engg. Solutions Pvt. Ltd.

Scale: 1:20

Design: A.K.I.
Drawn: S.K.
Chkd: A.K.A.
Appd: D.D.K.
Date: 31.08.07

Size: 0628-718
Sheet: 19 of 20

Rev. 1

ASTM STEEL LTD.

P.2. TECHNICAL - 0628
BILLET - 10. KURUMITAL