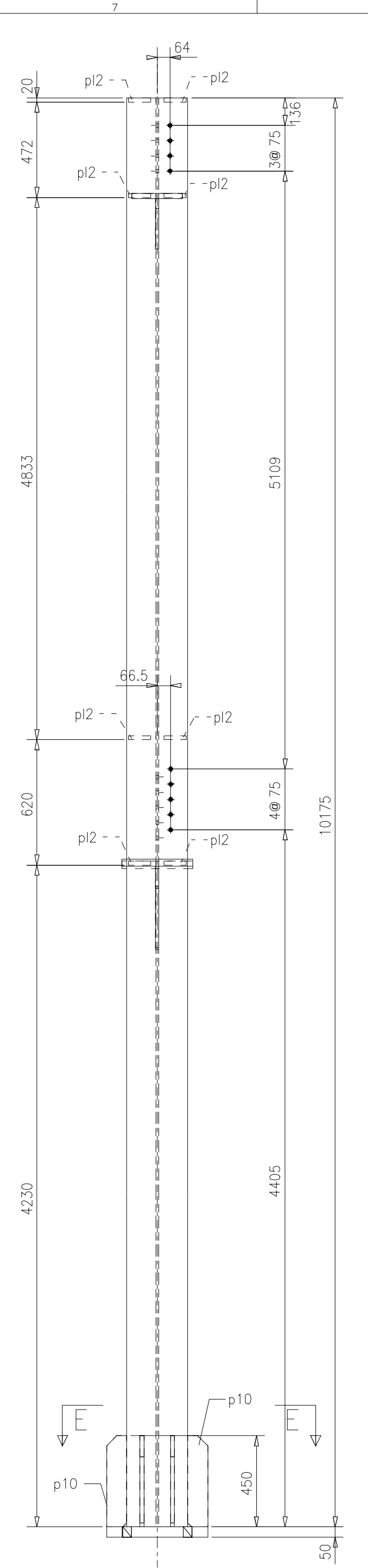
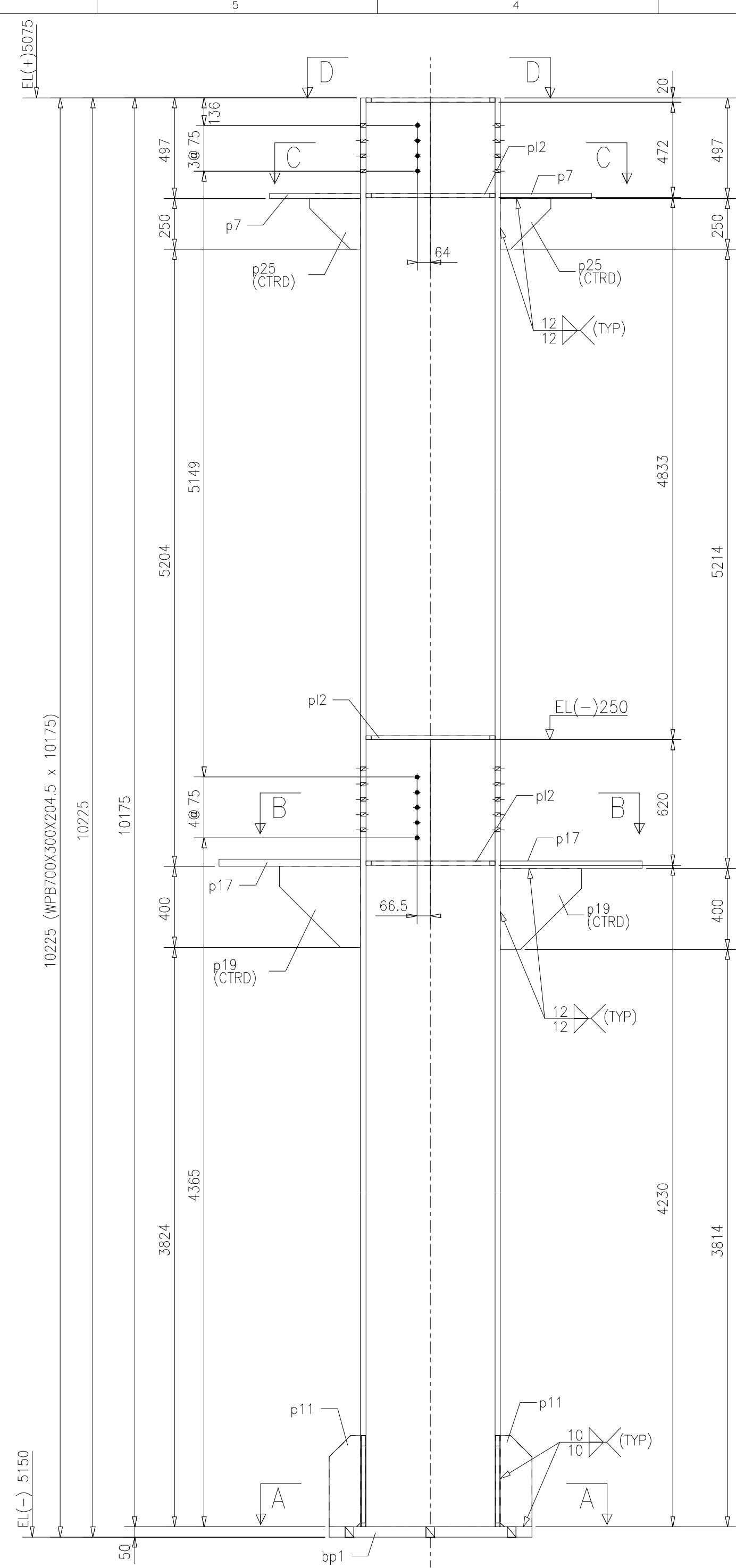


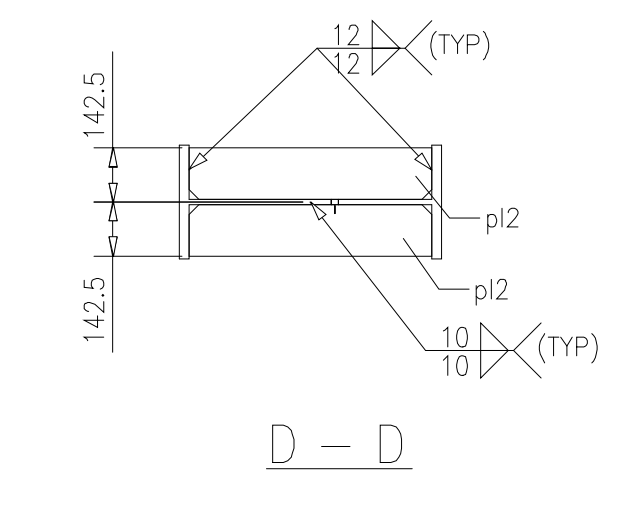
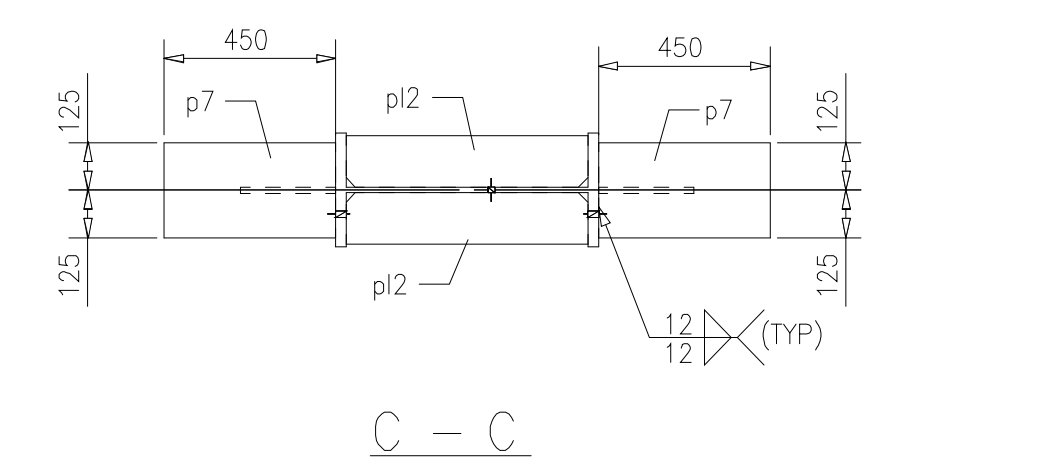
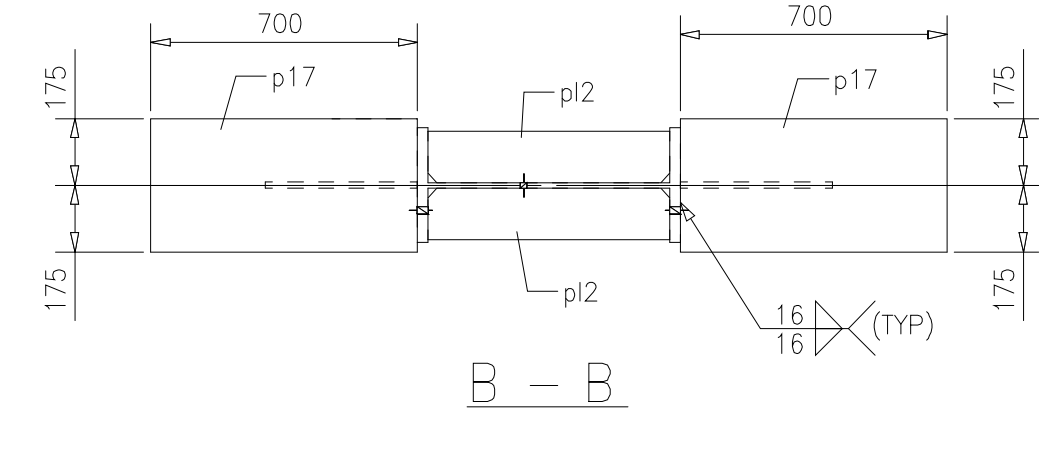
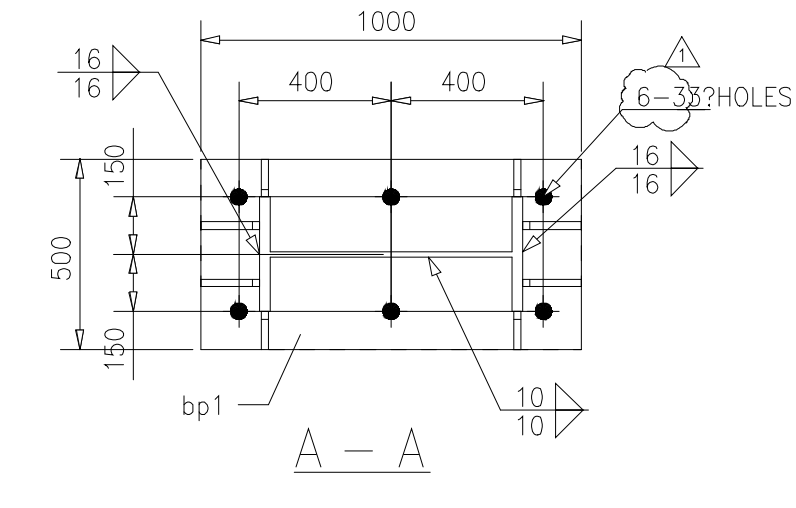
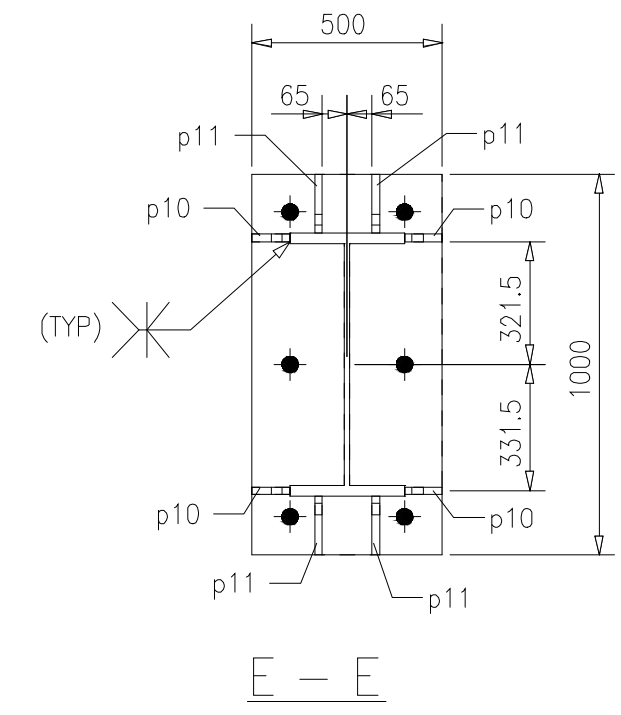
2 NO. COLUMN REQD. AS DRAN. MKD. 21C1



ONE NO. COLUMN REQD. AS DRAN. MKD. 21C2



BILL OF MATERIALS											
SECTION	ITEM NO.	QTY	UNIT	DESCRIPTION	GRADE	NO.	NO.	NO.	NO.	NO.	NO.
21C1	21C1	1	NO.	WIRE MESH	10225	1	1	1	1	1	1
	p1	40	NO.	PLATE	10225	1	1	1	1	1	1
	p2	40	NO.	PLATE	10225	1	1	1	1	1	1
	p3	40	NO.	PLATE	10225	1	1	1	1	1	1
	p4	40	NO.	PLATE	10225	1	1	1	1	1	1
	p5	40	NO.	PLATE	10225	1	1	1	1	1	1
	p6	40	NO.	PLATE	10225	1	1	1	1	1	1
	p7	40	NO.	PLATE	10225	1	1	1	1	1	1
	p8	40	NO.	PLATE	10225	1	1	1	1	1	1
	p9	40	NO.	PLATE	10225	1	1	1	1	1	1
21C2	21C2	1	NO.	WIRE MESH	10225	1	1	1	1	1	1
	p1	40	NO.	PLATE	10225	1	1	1	1	1	1
	p2	40	NO.	PLATE	10225	1	1	1	1	1	1
	p3	40	NO.	PLATE	10225	1	1	1	1	1	1
	p4	40	NO.	PLATE	10225	1	1	1	1	1	1
	p5	40	NO.	PLATE	10225	1	1	1	1	1	1
	p6	40	NO.	PLATE	10225	1	1	1	1	1	1
	p7	40	NO.	PLATE	10225	1	1	1	1	1	1
	p8	40	NO.	PLATE	10225	1	1	1	1	1	1
	p9	40	NO.	PLATE	10225	1	1	1	1	1	1
GRAND TOTAL											21C1



KORUS Engg. Solutions Pvt. Ltd.
This Drawing is the Property of KORUS Engg. Solutions Pvt. Ltd. and as such it should not be used in any way whatsoever without their permission in writing.
It is returnable on completion of the order for which it has been issued.

NOTES & SPECIAL NOTE REF. DRG. NO.7 & 8

Rev. No.	Date	Description	Design	Drawn	Chkd.	Appd.
0	17.09.07	REVISED AS MARKED				
1	11.09.07	RELEASED FOR CONSTRUCTION	AKI	S.K.	AKA	D.D.K.

1.0 MTPA BAR MILL, 0.6 MTPA WIRE ROD MILL & BILLET STORAGE BAY
ZONE-10 ELECTRICAL CONTROL ROOM-2
DETAIL OF BEAMS

KORUS Engg. Solutions Pvt. Ltd.

Scale: 1:20
Design: A.K.I.
Drawn: S.K.
Chkd: A.K.A.
Appd: D.D.K.
Date: 31.08.07

Size: 0628-718
Sheet: 21
Rev: 22

JSW STEEL LTD.

P.A. VERMA - 0000
BILLET-MILL, KANUNGA