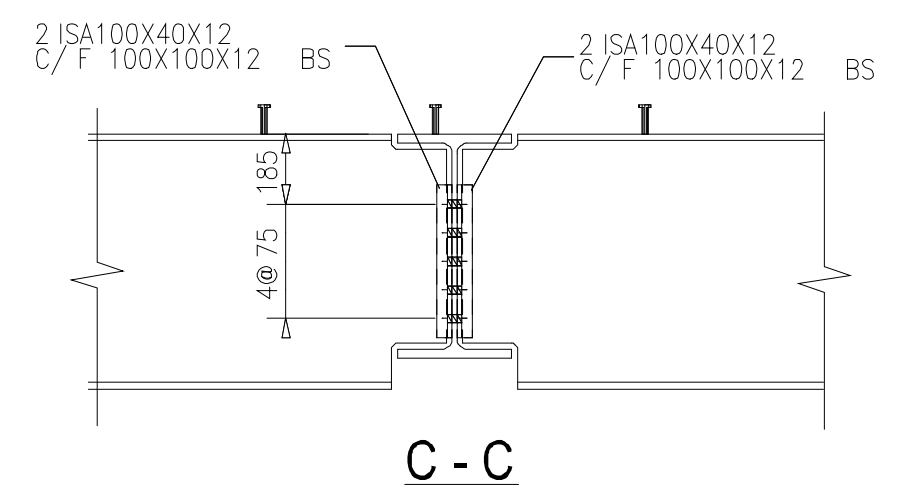
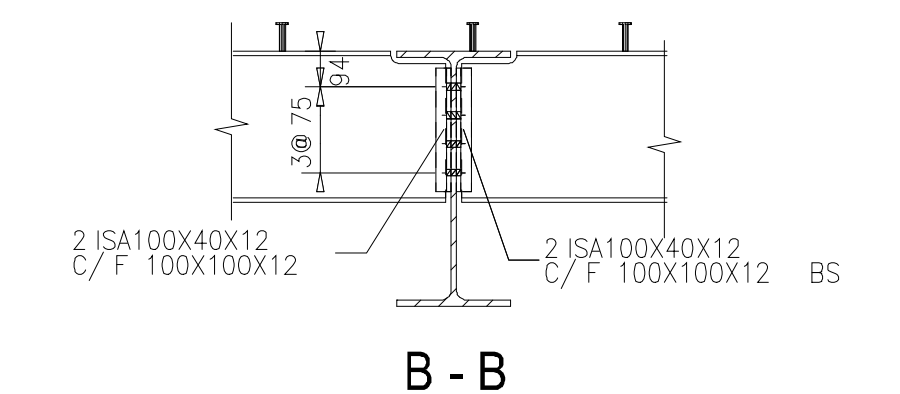


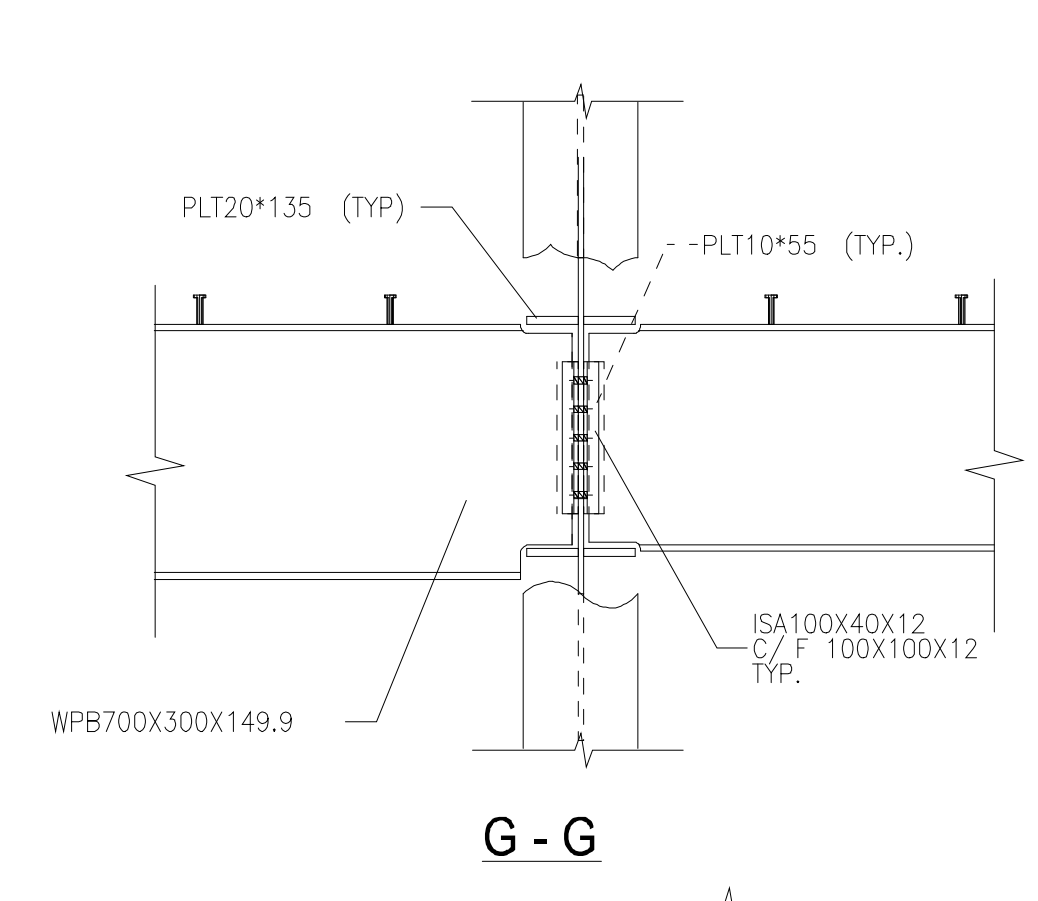
PLAN AT (-250.000) LEVEL



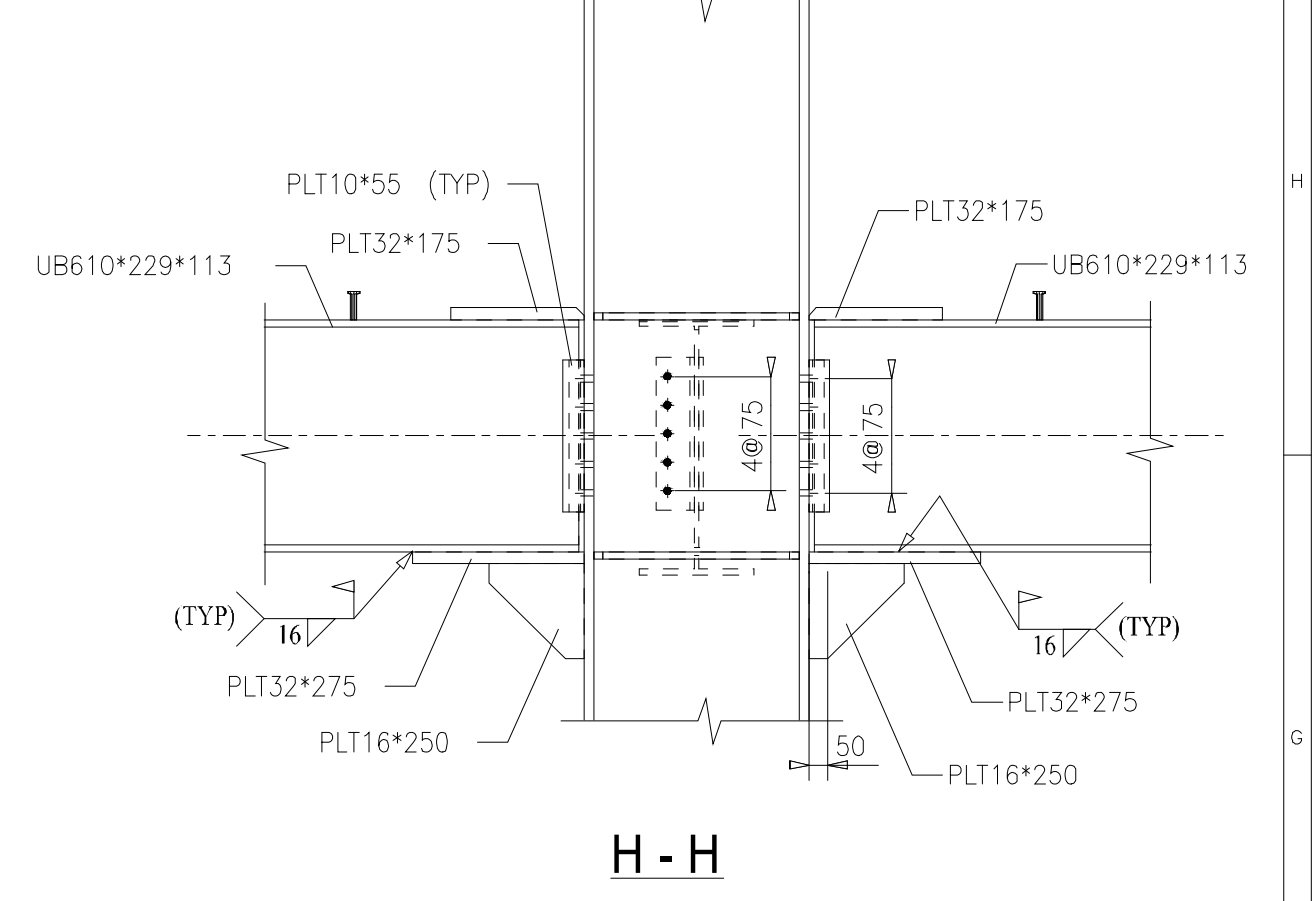
C - C



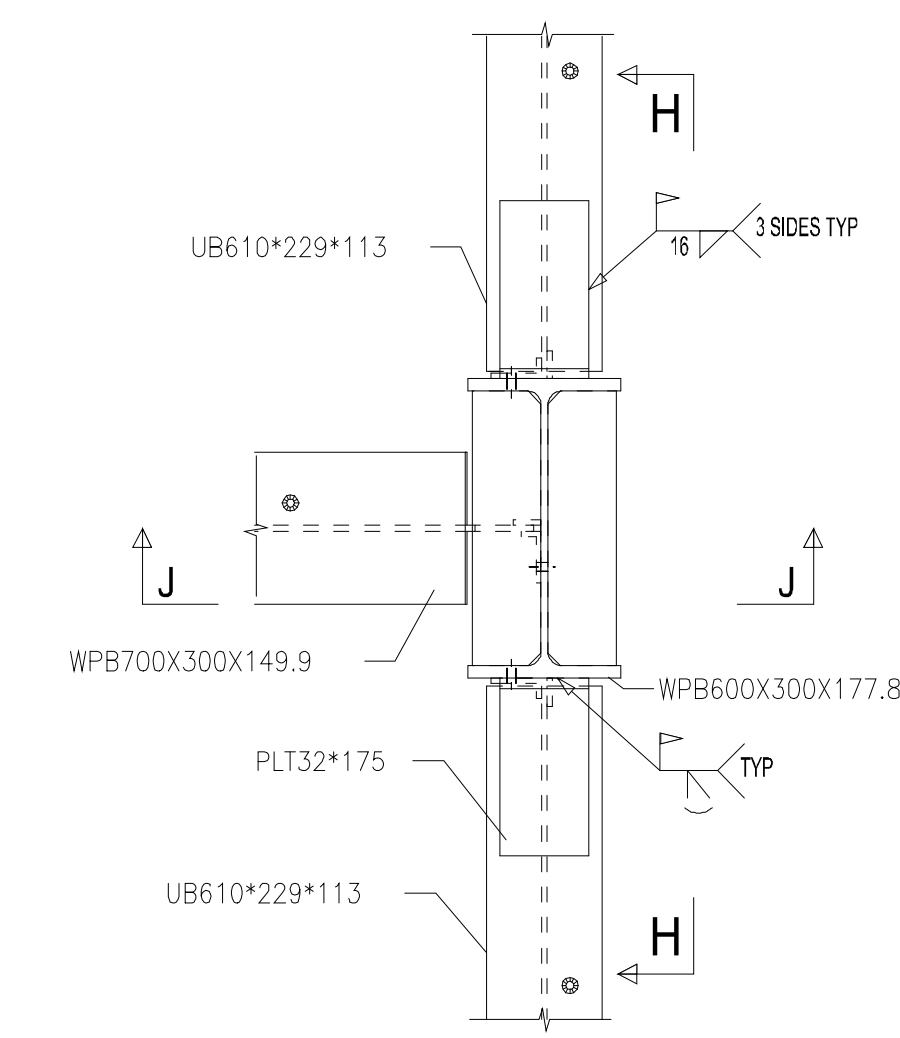
B - B



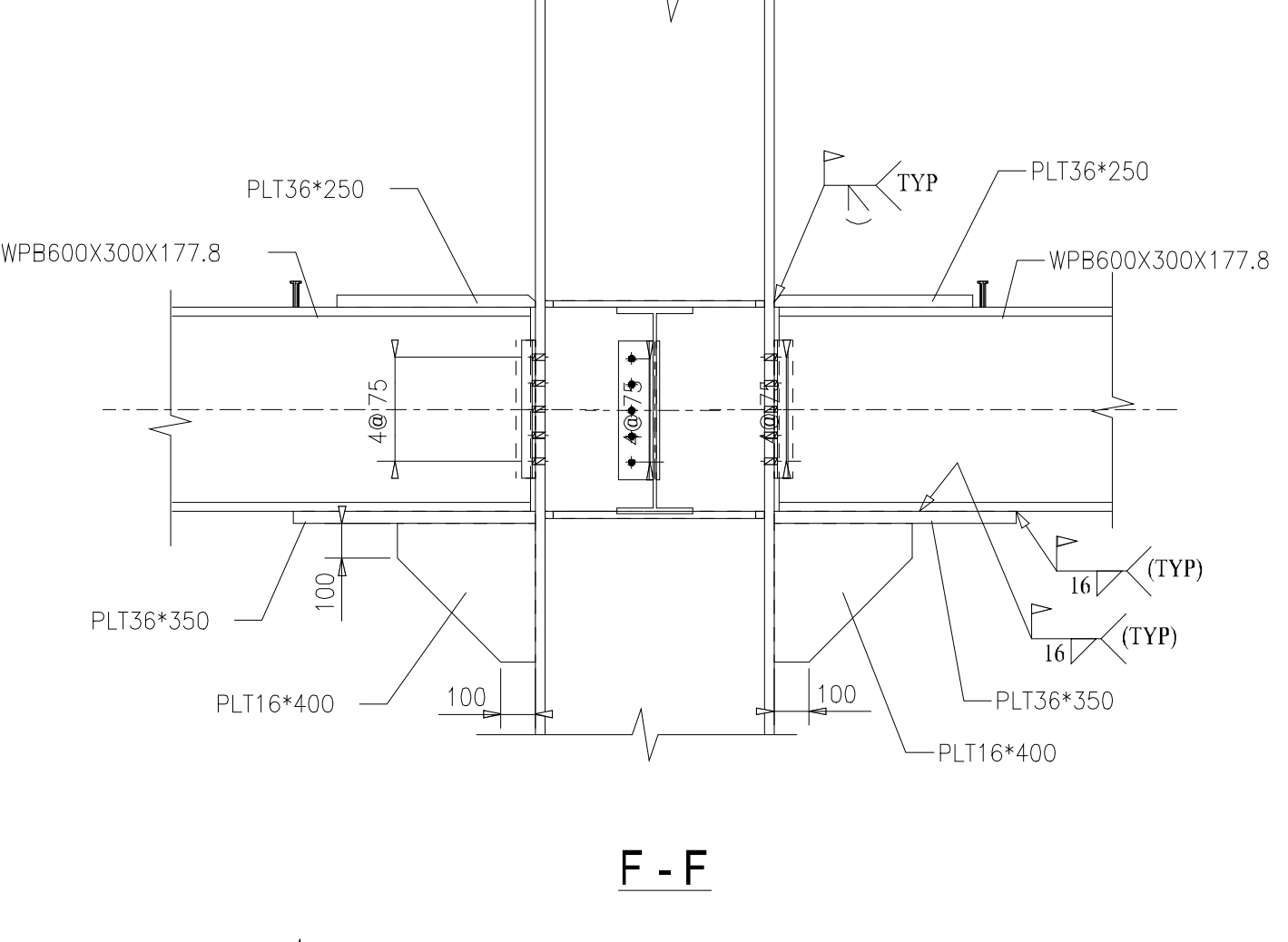
G - G



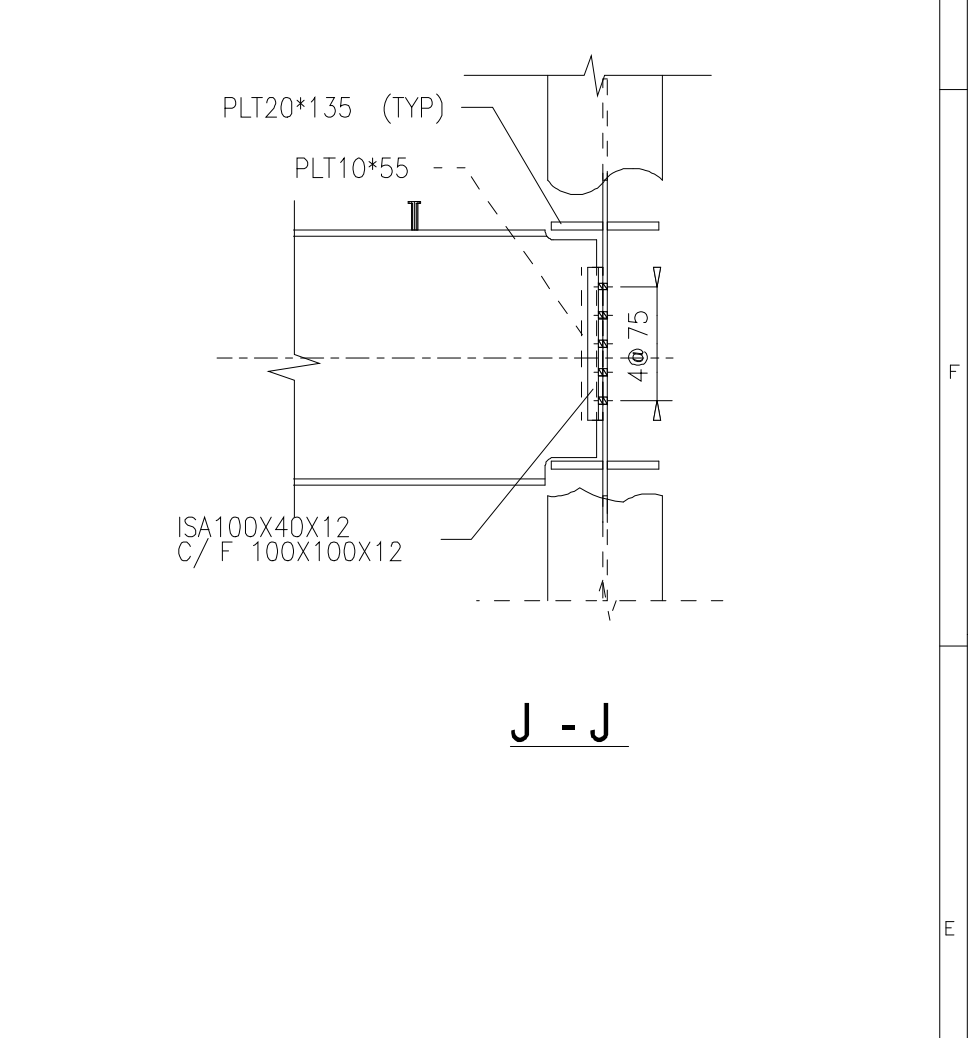
H - H



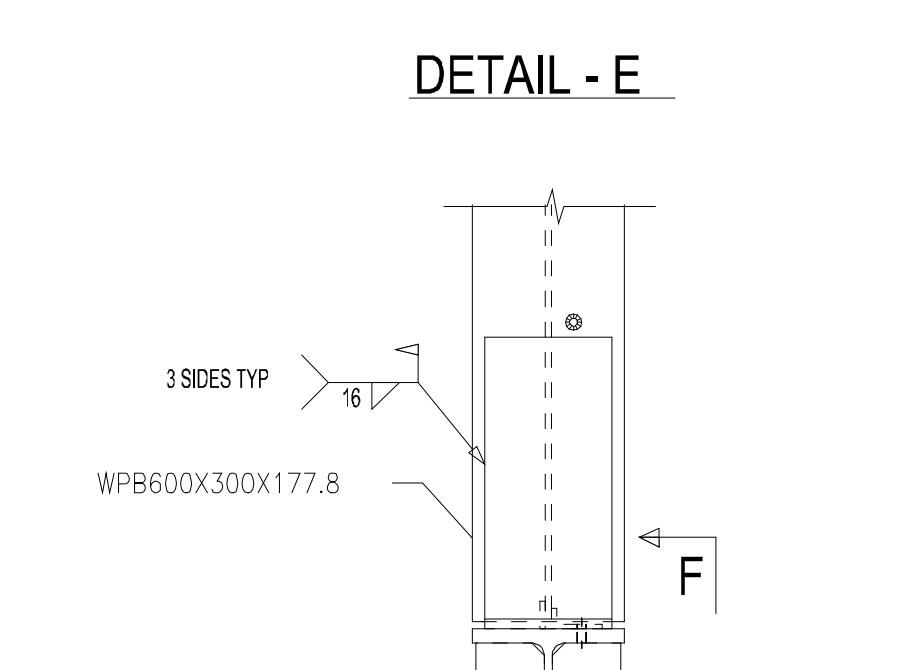
DETAIL - E



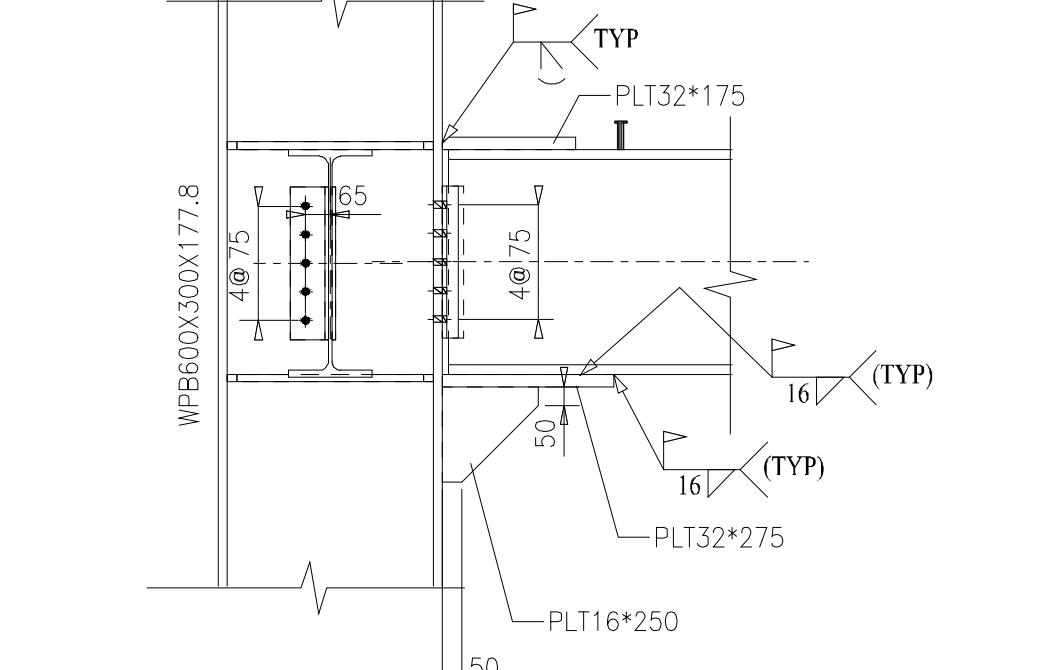
F - F



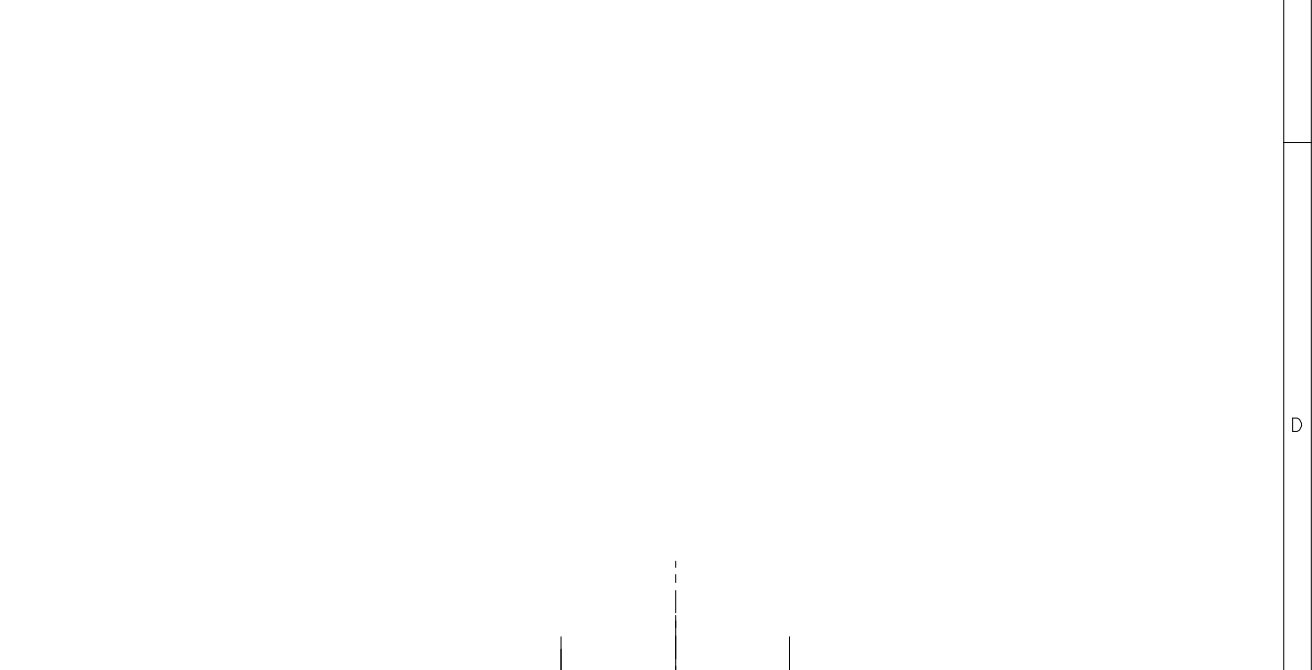
J - J



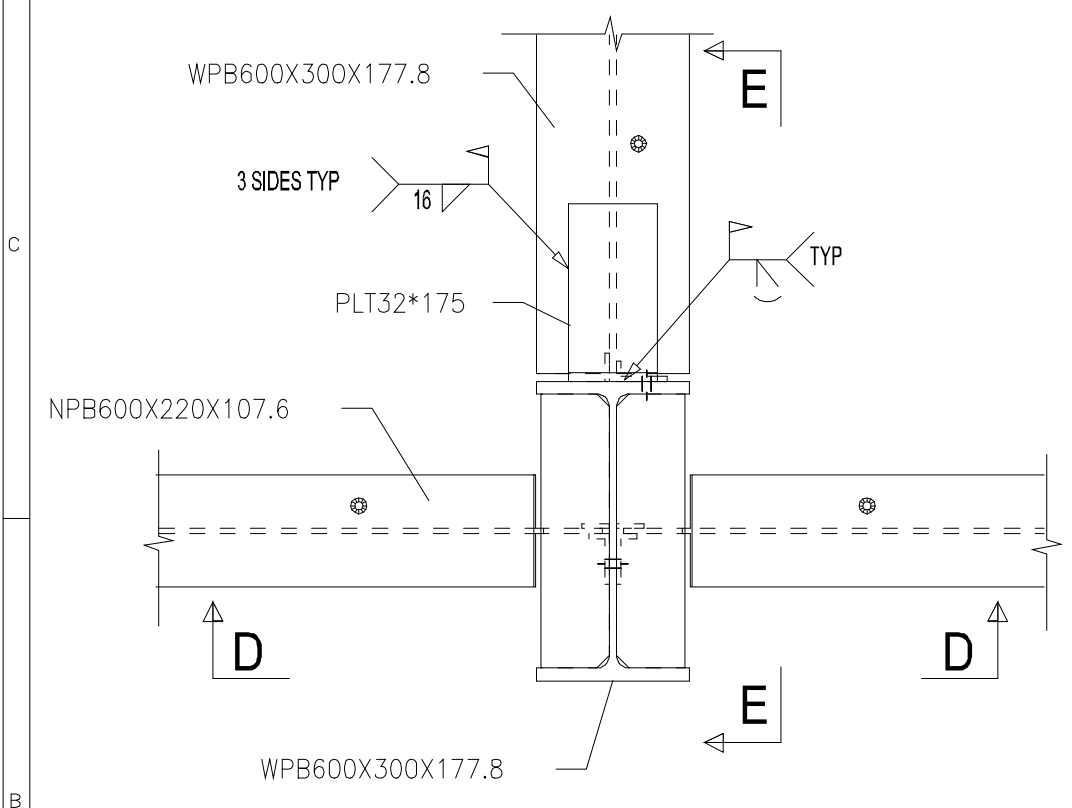
DETAIL - D



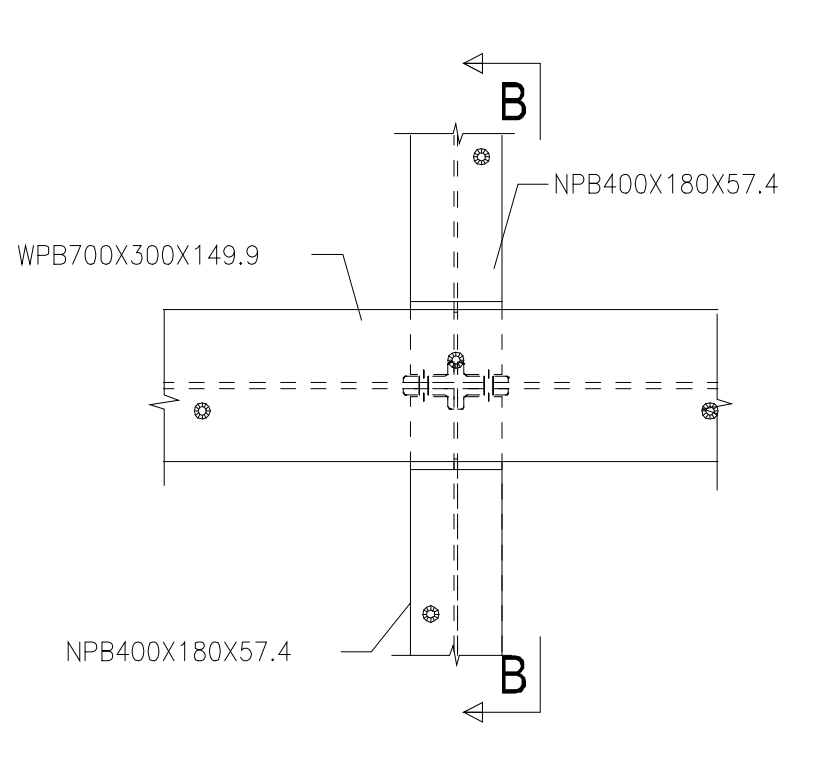
E - E



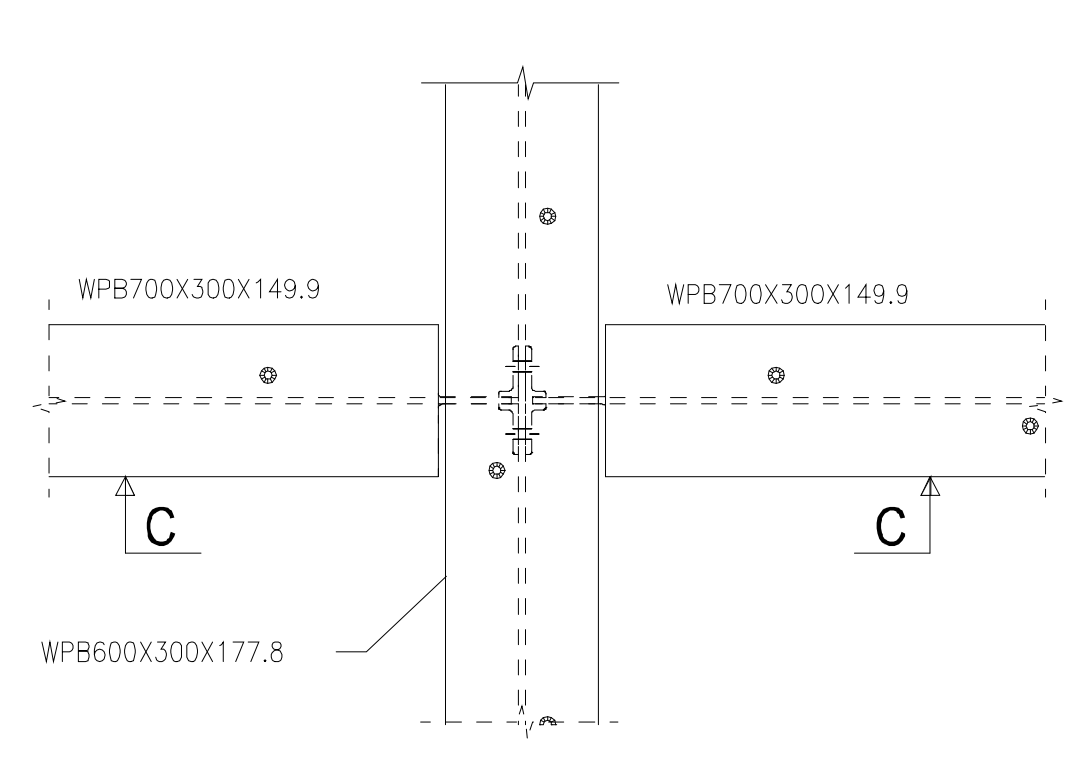
K - K



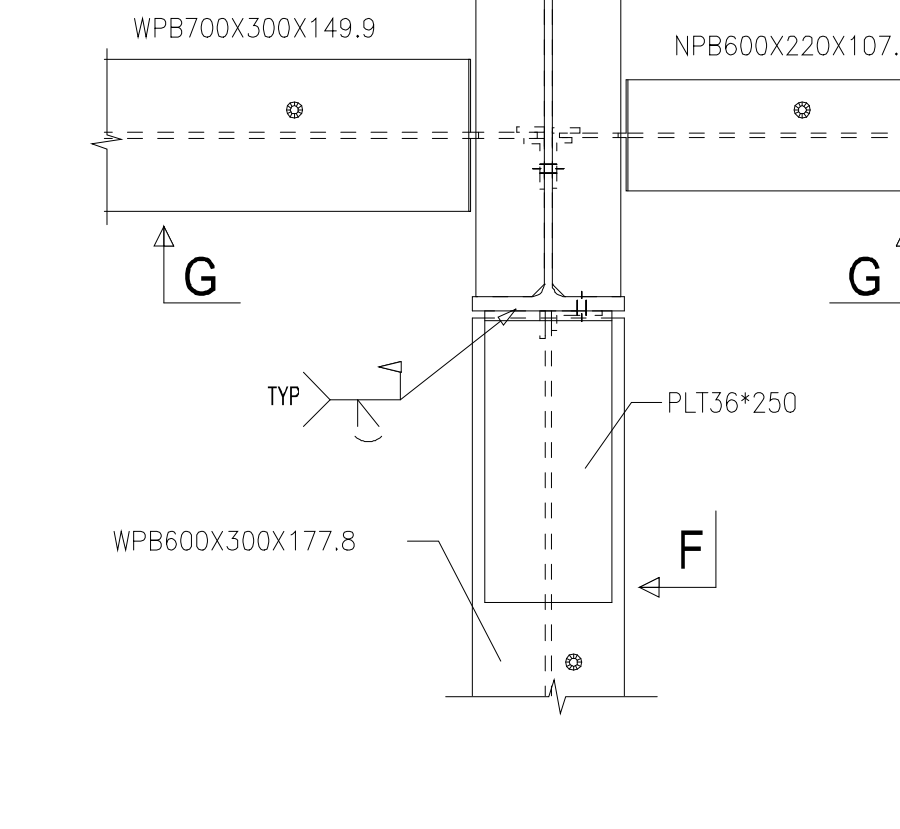
DETAIL - A



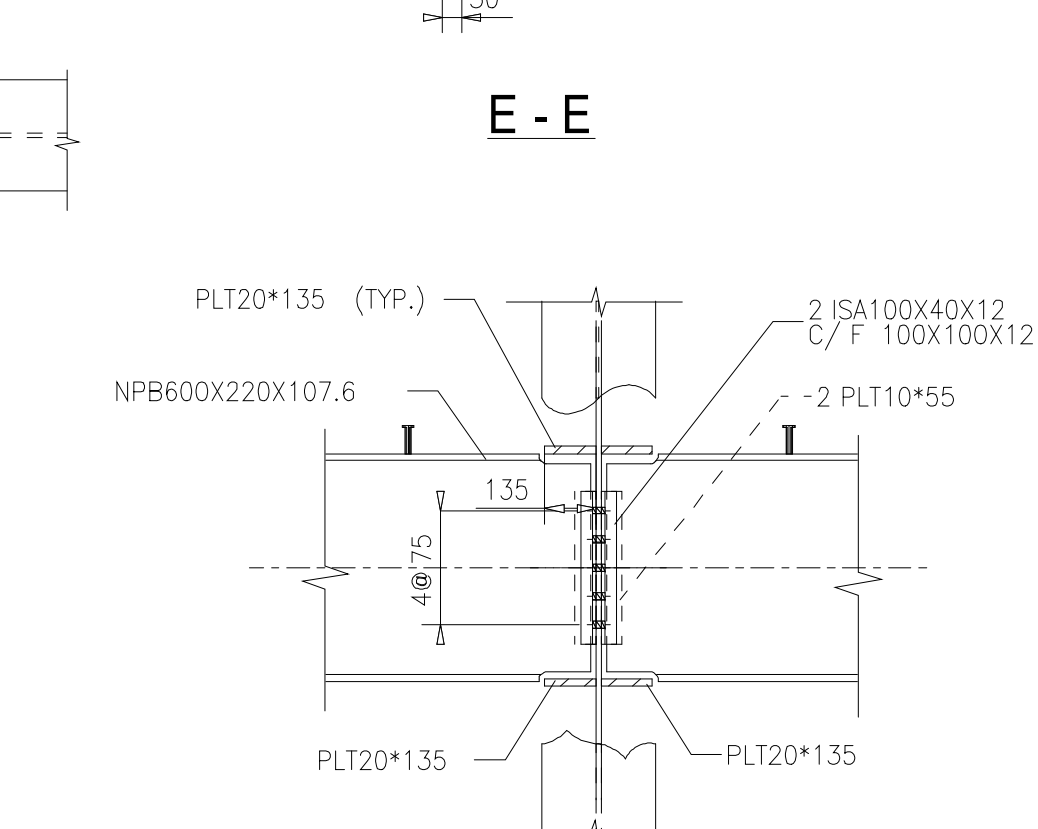
DETAIL - B



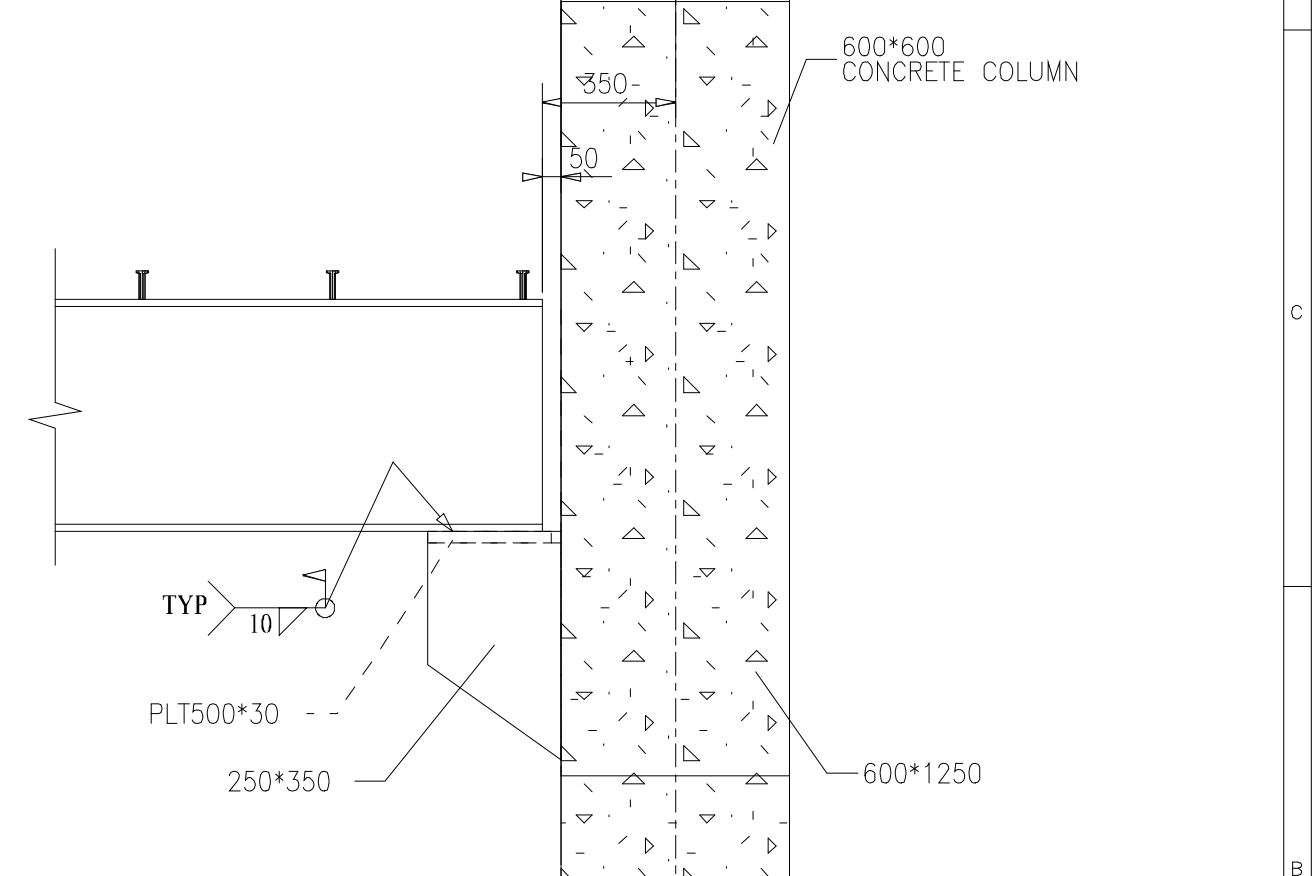
DETAIL - C



DETAIL - D



D - D



TYP. BEAM TO BEAM CONNECTION

NOTES: -  
 1. ALL DIMENSIONS AND LEVELS ARE IN MM.  
 2. ALL HOLES ARE 17.5 Ø U.N.O

KORUS Engg. Solutions Pvt. Ltd.  
 This Drawing is the Property of KORUS Engg. Solutions Pvt. Ltd. and as such it should not be used in any way whatsoever without their permission in writing.  
 It is returnable on completion of the order for which it has been issued.

|  |  |               |               |
|--|--|---------------|---------------|
| 1.0 MTPA BAR MILL, 0.6 MTPA WIRE ROD MILL & BILLET STORAGE BAY |  | Scale 1:20    | Design S.K.   |
| ZONE-10 ELECTRICAL CONTROL ROOM-21                             |  | Drawn A.K.A.  | Checked S.K.  |
| DETAIL OF BEAMS  |  | Appd. S.K.    | Date 31.08.07 |
| KORUS Engg. Solutions Pvt. Ltd.                                |  | Site 0628-718 | Rev. 1        |
| JSTW STEEL LTD.  |  | Sheet 7       | Next 8        |

| Rev. No. | Date     | Alteration                | Design | Drawn | Chd.   | Appd.  |
|----------|----------|---------------------------|--------|-------|--------|--------|
| 1        | 17.09.07 | GENERALLY REVISED         |        |       |        |        |
| 0        | 11.09.07 | RELEASED FOR CONSTRUCTION | A.K.T. | S.K.  | A.K.A. | D.D.K. |