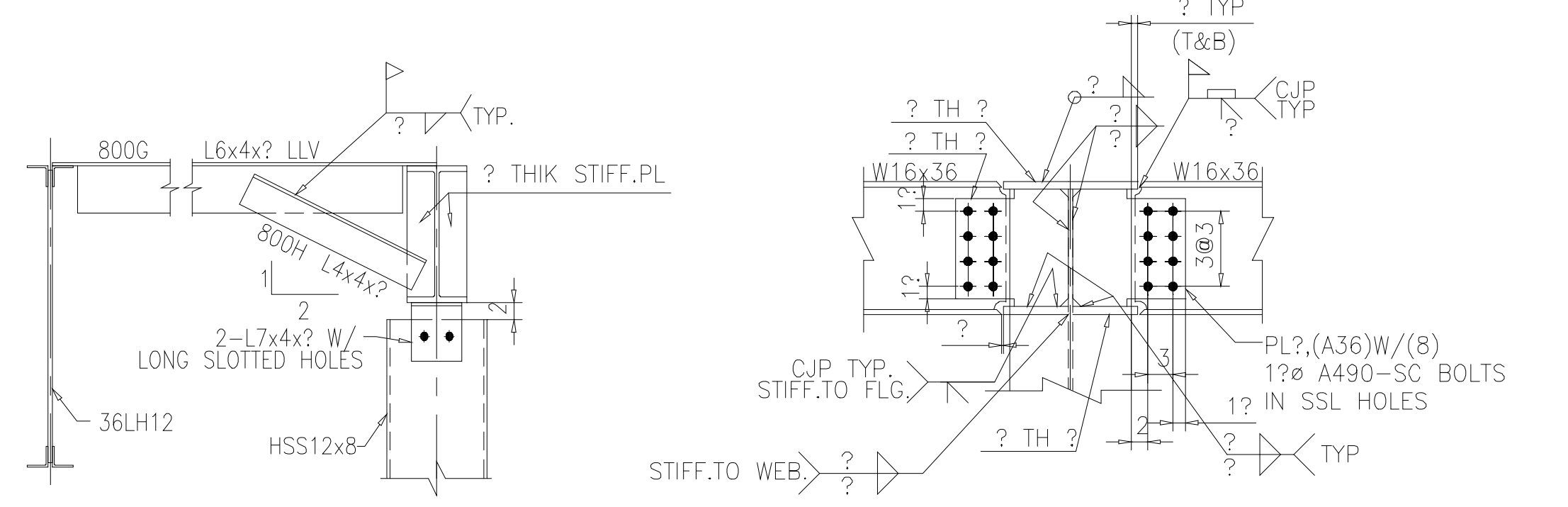
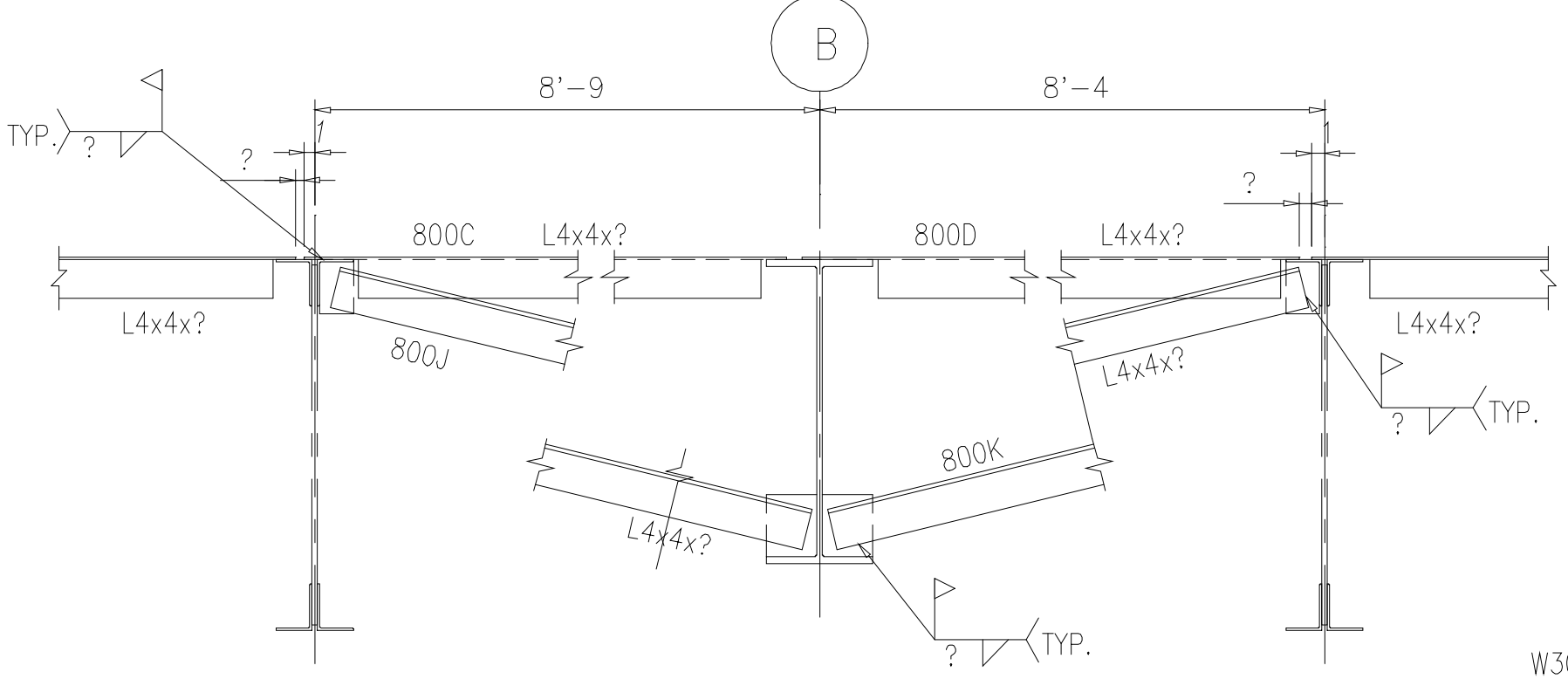


ROOF LEVEL FRAMING PLAN
(T.O.S AS NOTED)
SEQ#119



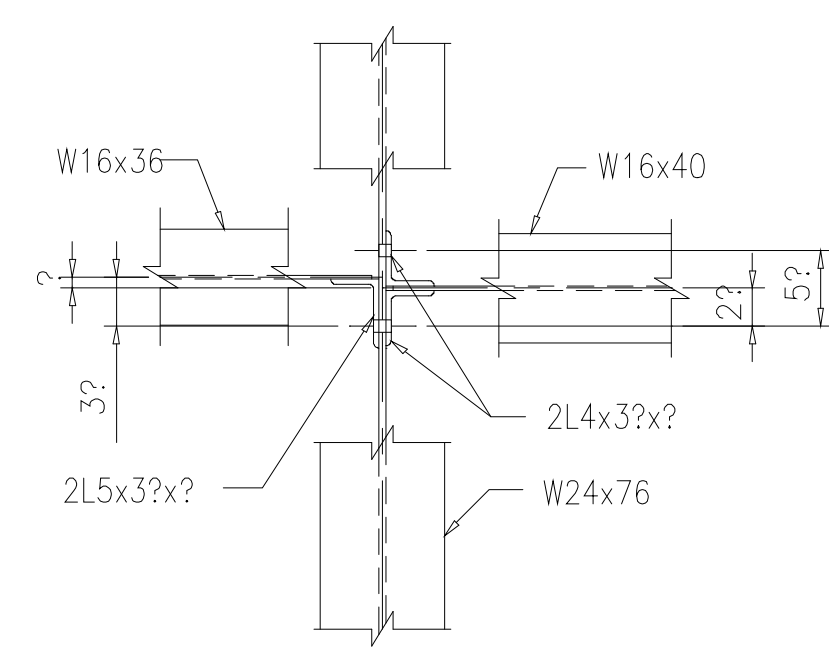
SECTION A-A

SECTION B-B
REFER RUBY SK. MC-4A

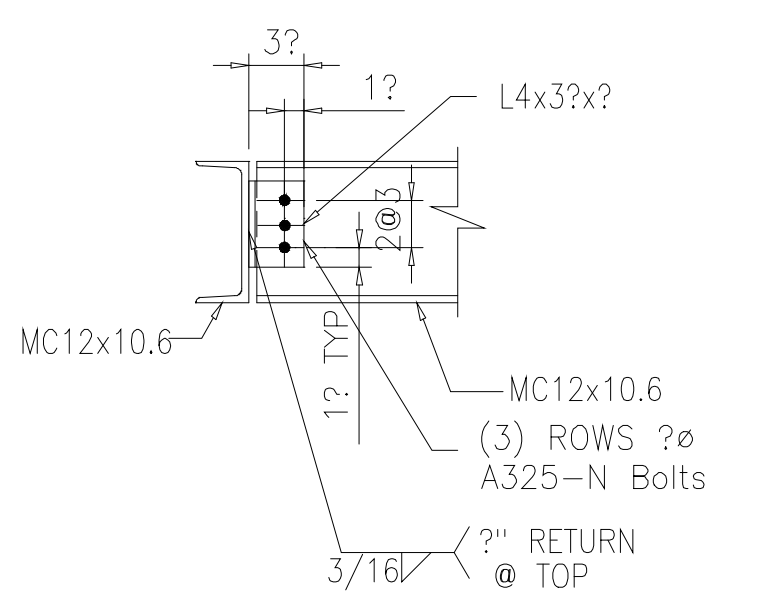


SECTION C-C

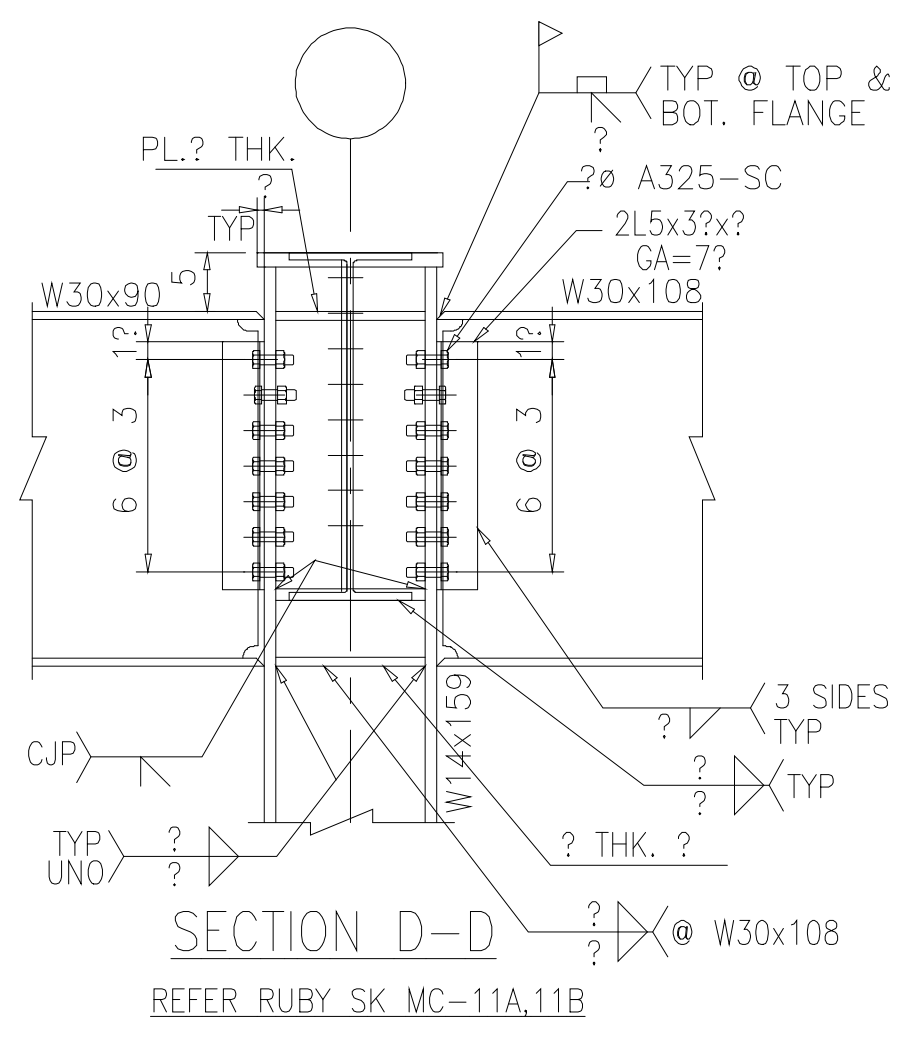
SECTION U-U
REFER RUBY NS-66



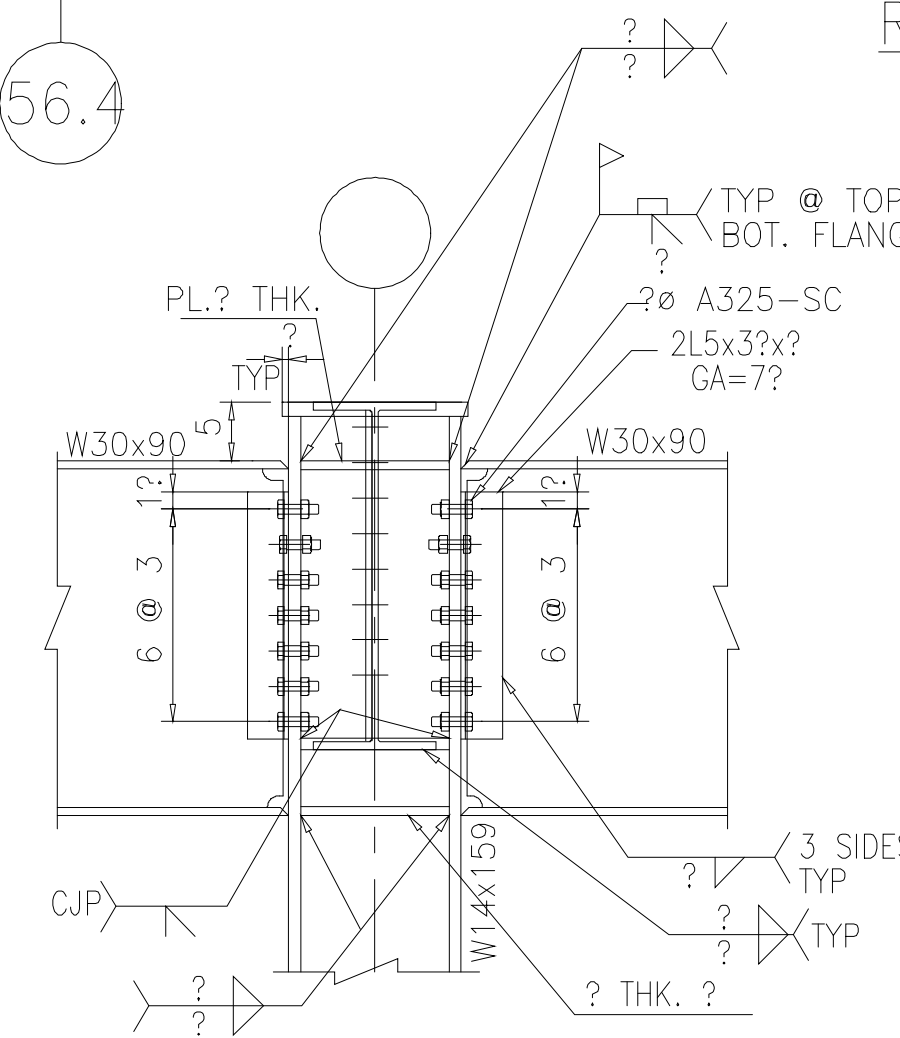
DETAIL X-X



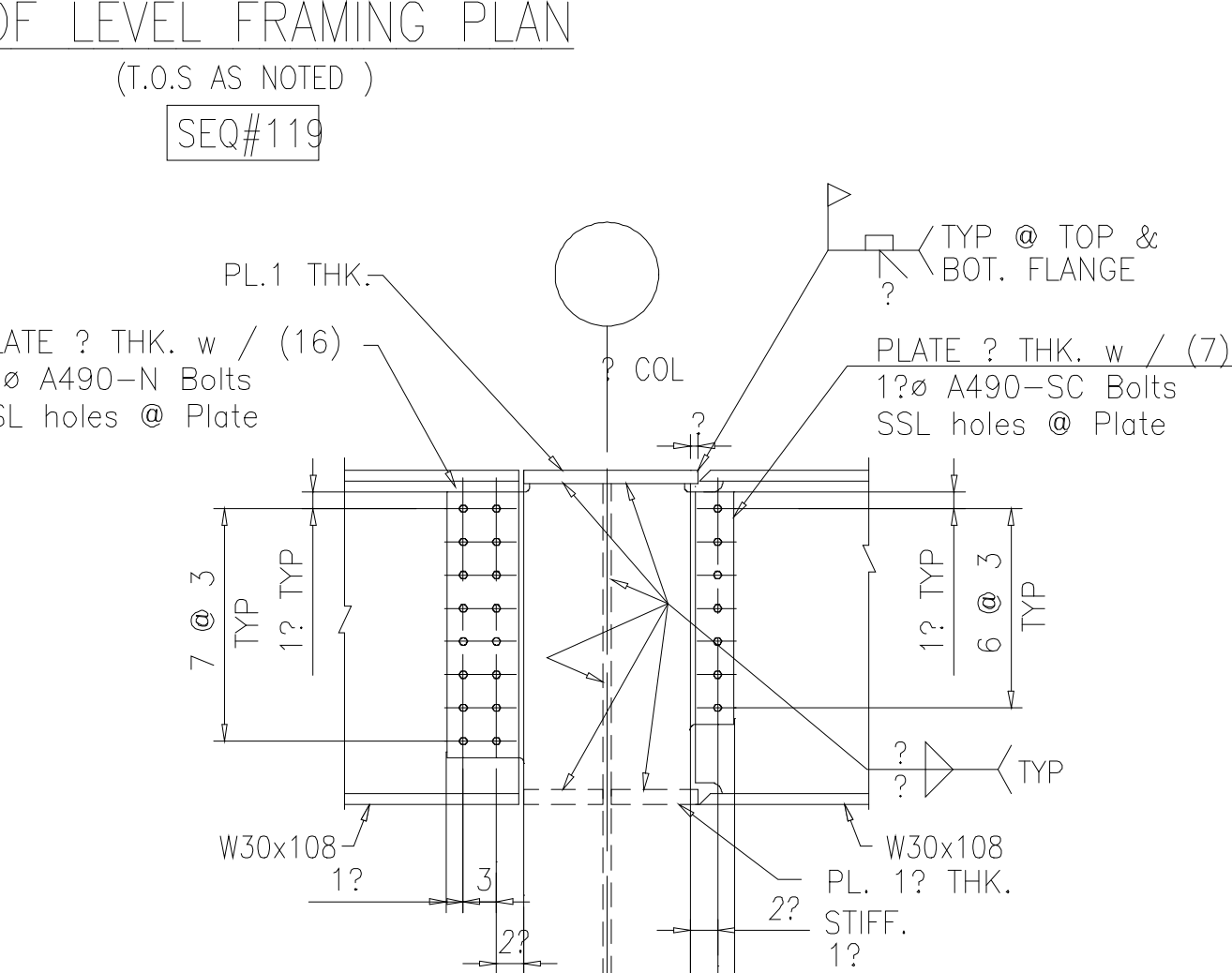
SECTION V-V
REFER RUBY NS-66



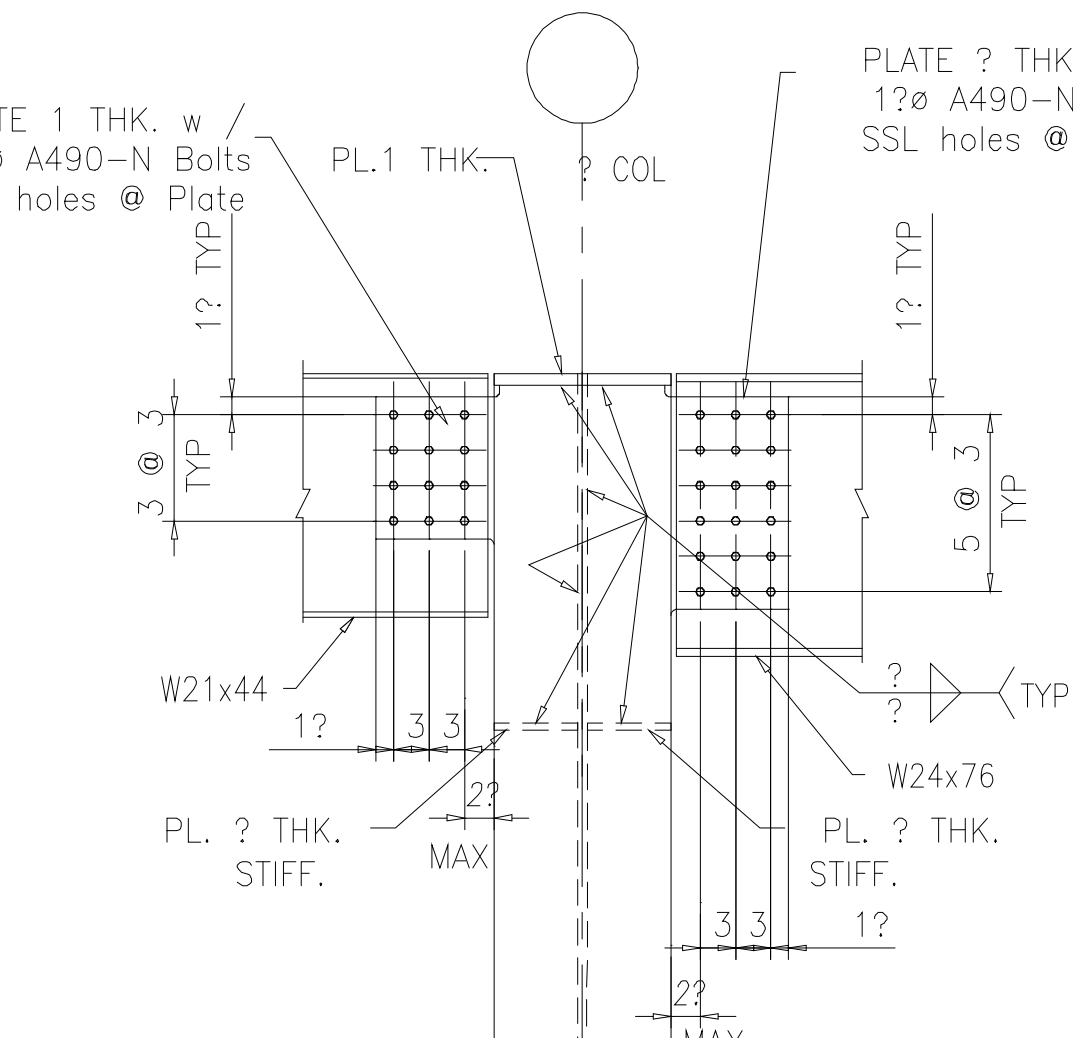
SECTION D-D
REFER RUBY SK MC-11A,11B



SECTION H-H
REFER RUBY SK MC-11A,11B



SECTION M-M
REFER RUBY SK MC-17



SECTION P-P
REFER RUBY SK MC-15

- NOTES:-
- 1) ALL W SHAPES = A992
 - 2) ANGLES & PLATES=ASTM-A36
 - 3) ALL PIECE MARKS TO BE PREFIXED WITH SEQ 119
THUS 200A IS 119200A.
 - 4) ALL FIELD BOLTS SHALL BE 7/8" A325-N BOLTS.(U.N.O.)
 - 5) \blacktriangle INDICATES MOMENT CONNECTIONS.
 - 6) \bullet INDICATES AXIAL LOAD CONNECTIONS.

