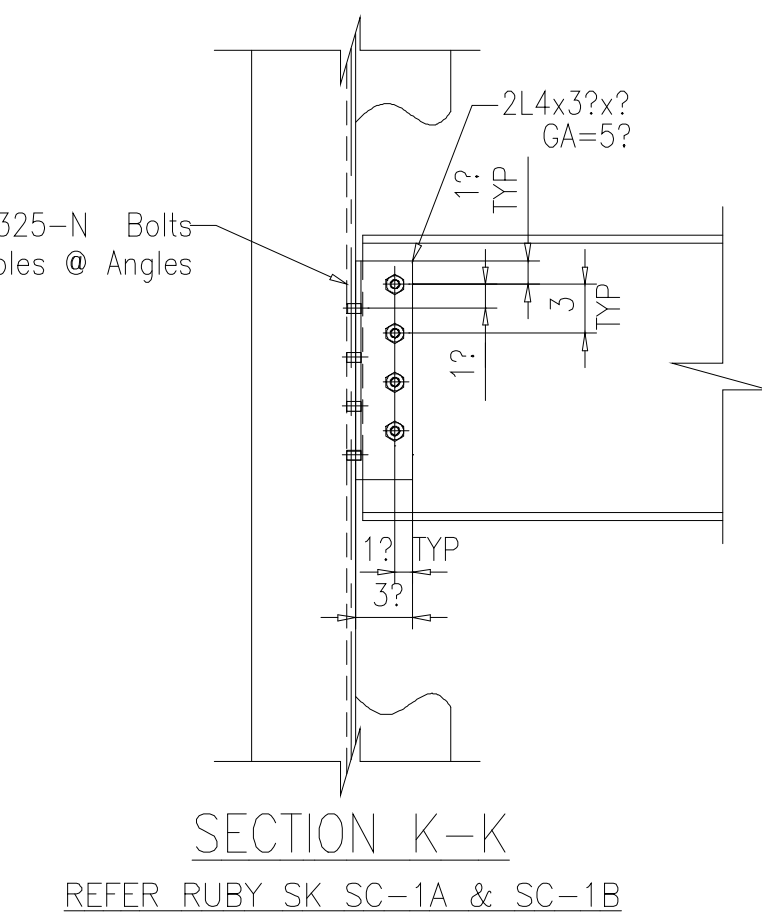
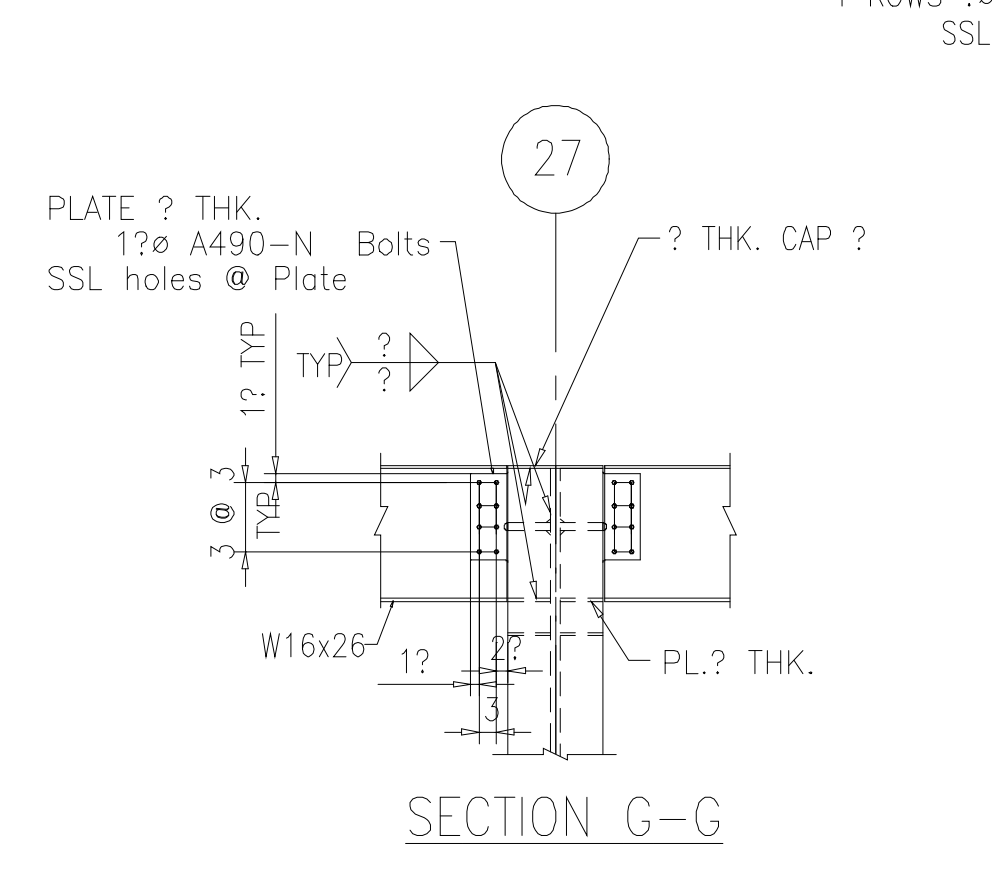
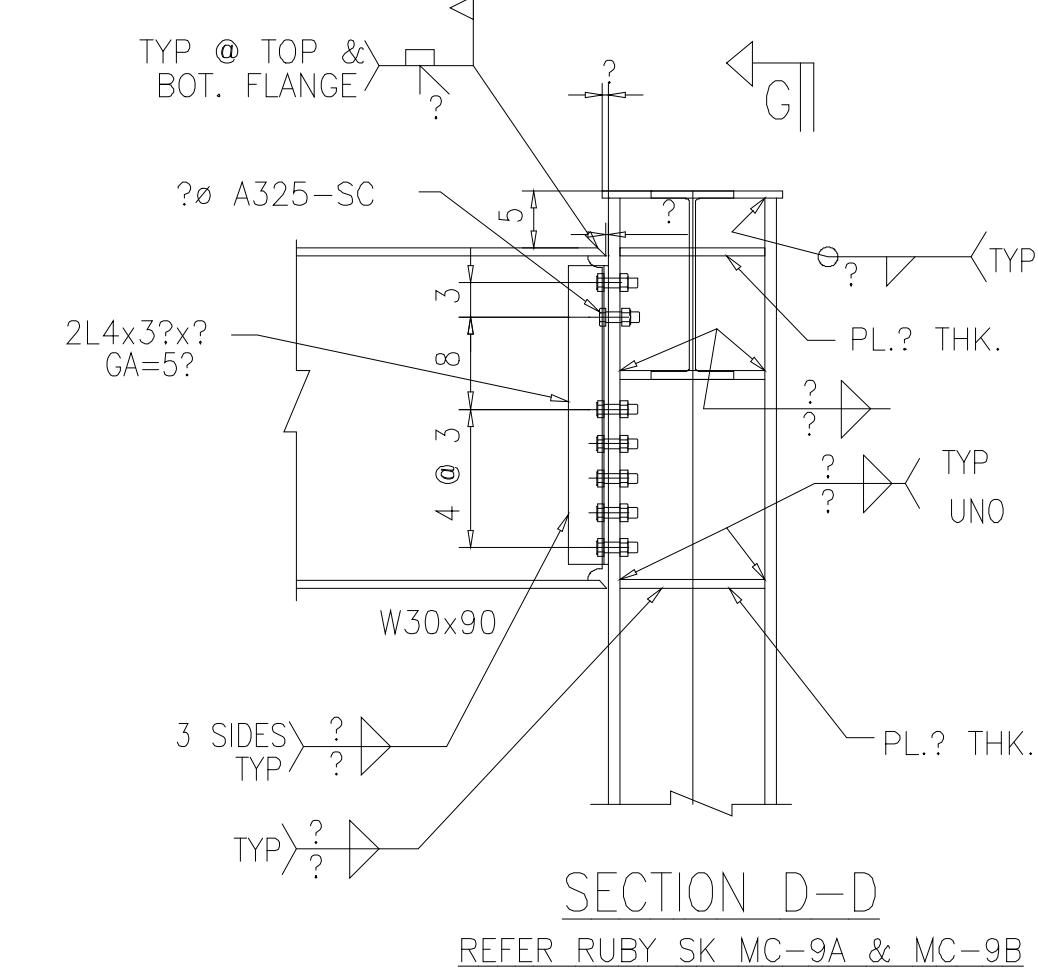
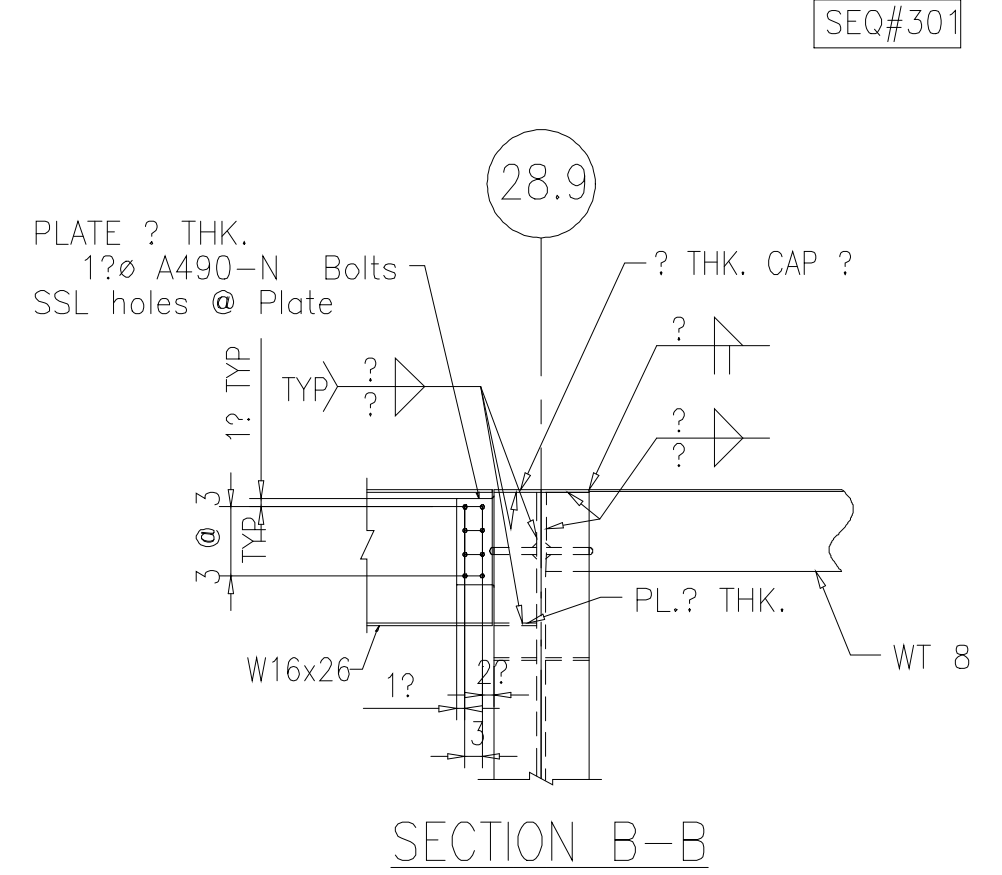
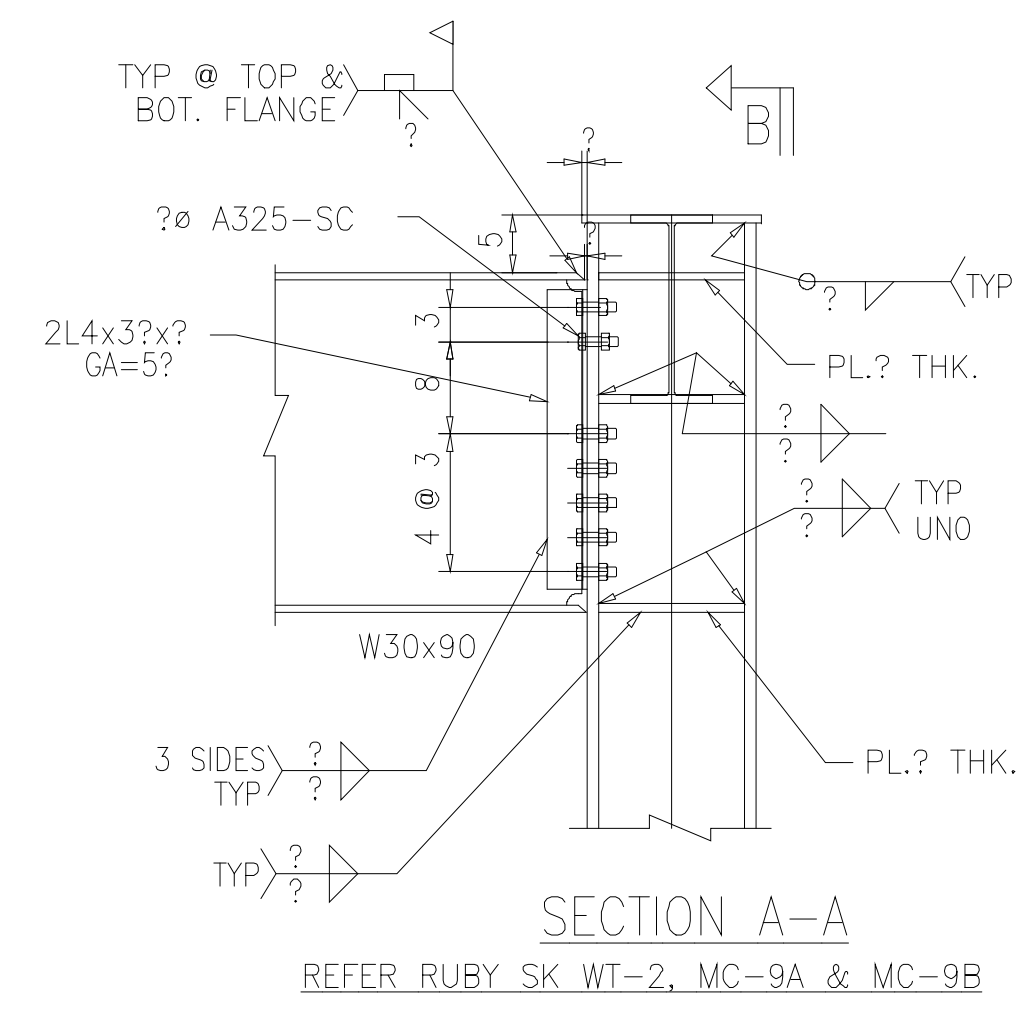


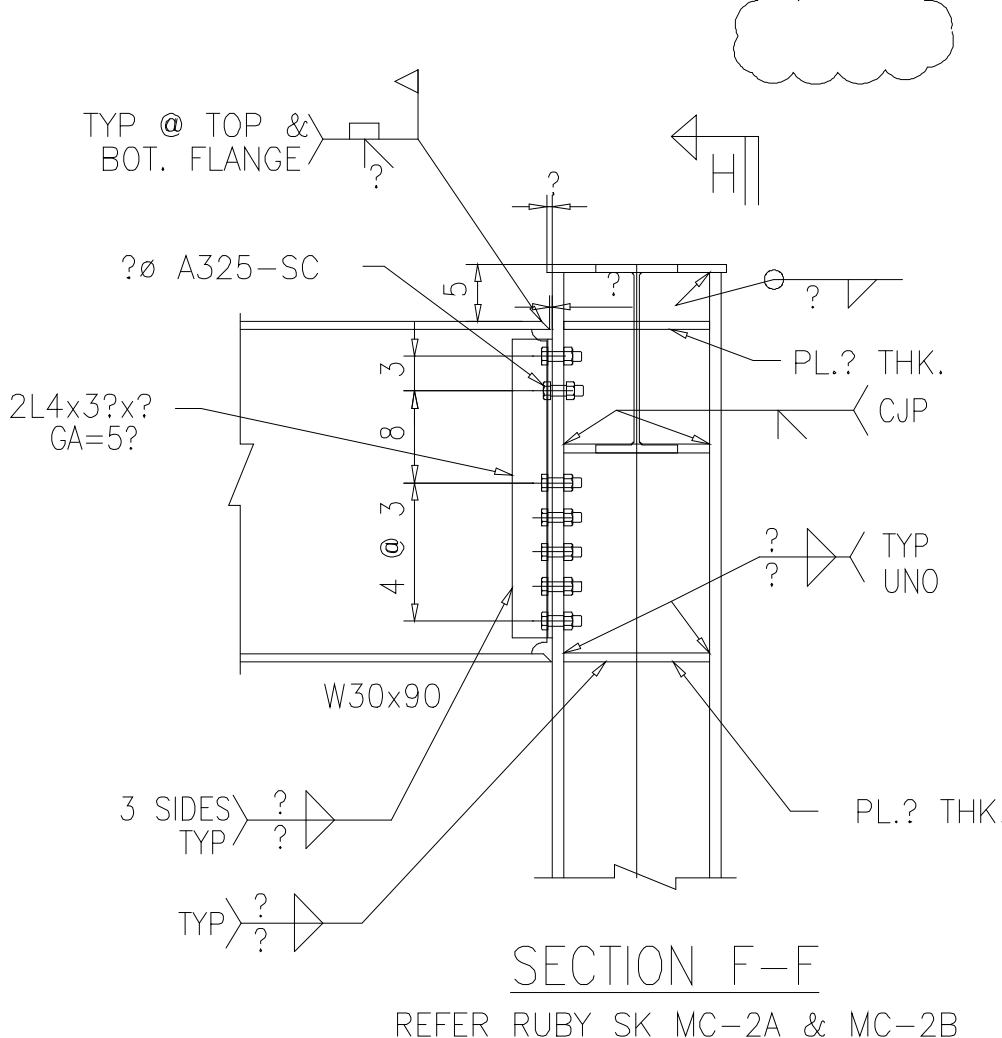
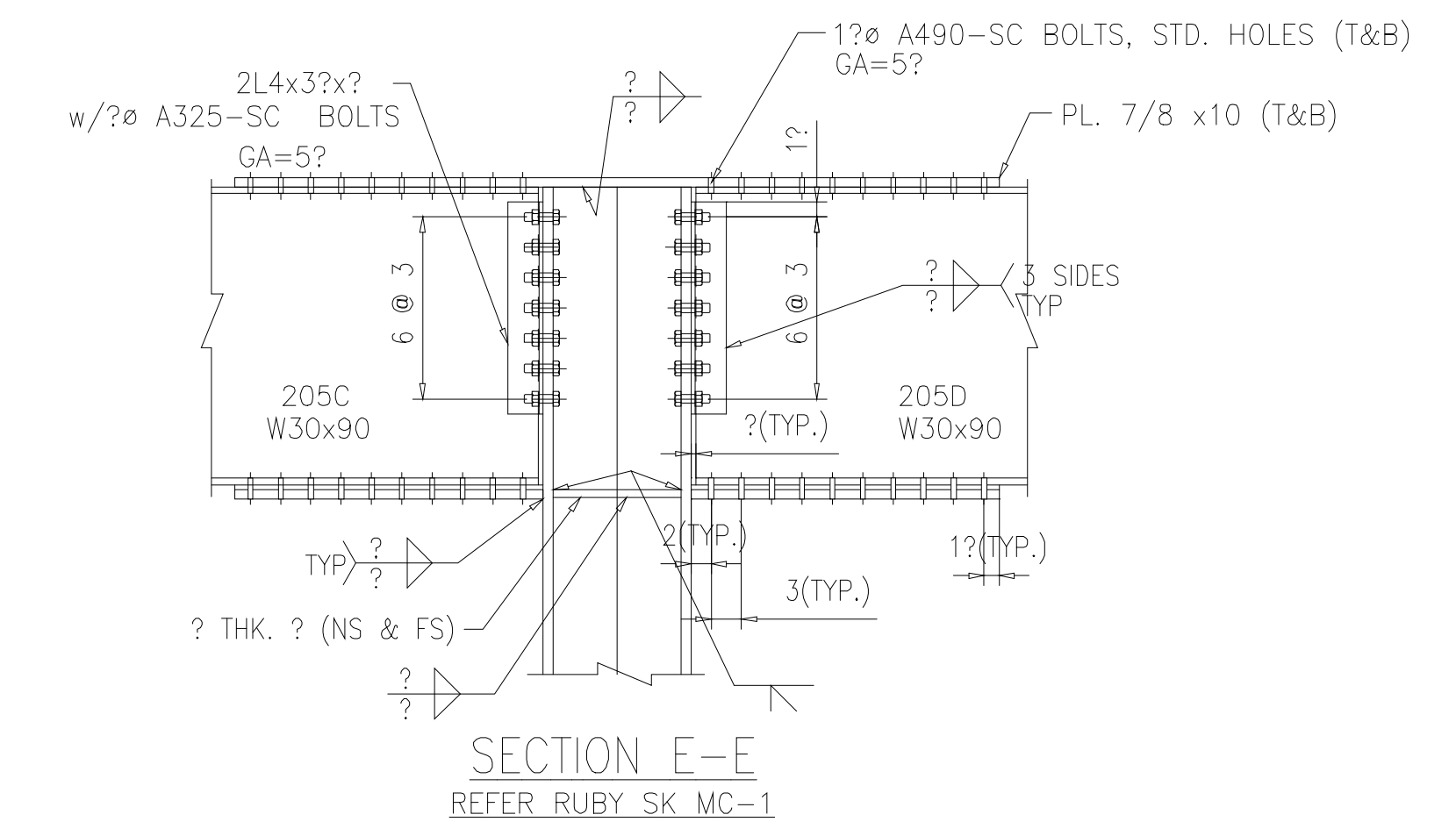
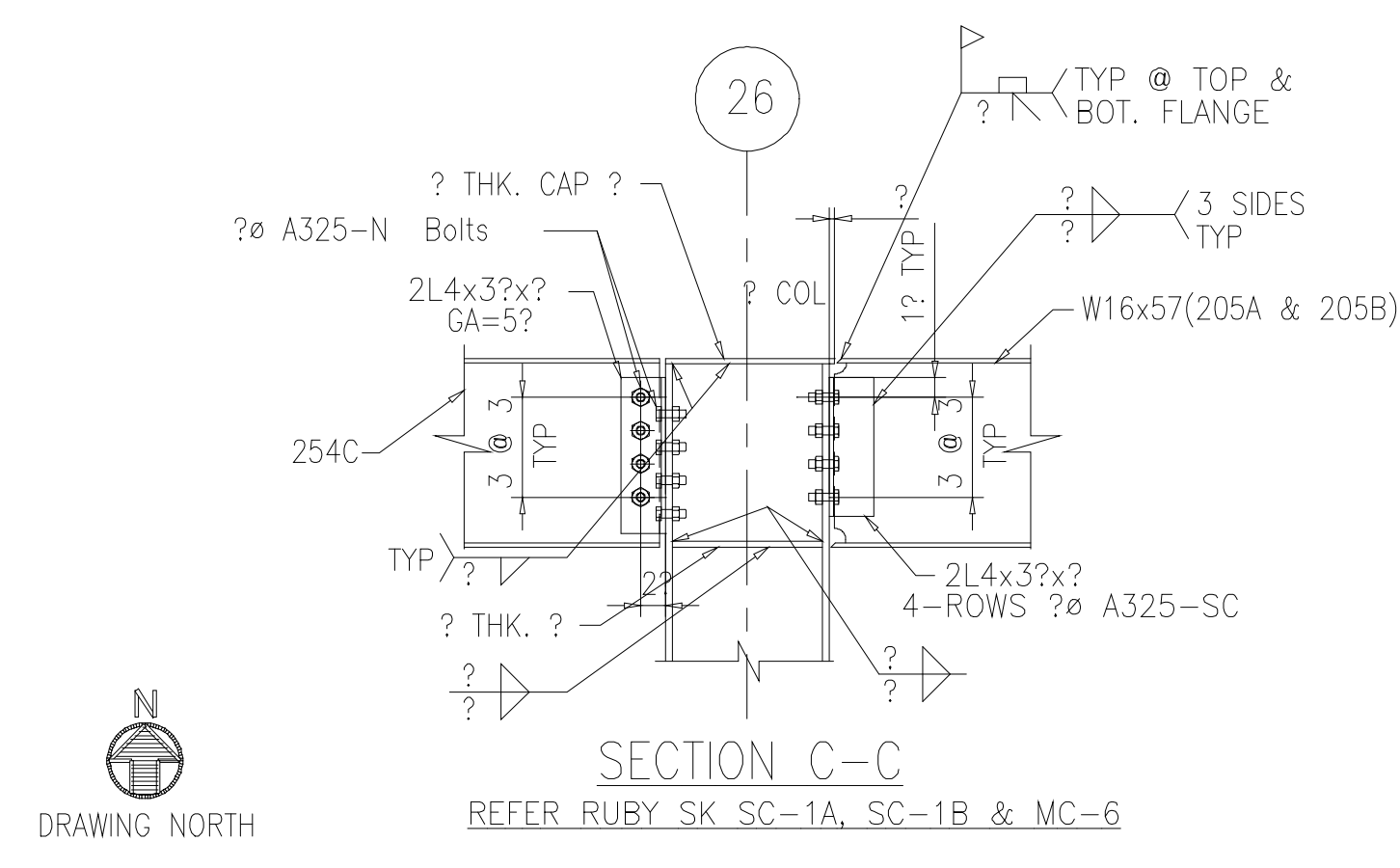
TYPICAL COLUMN SPLICE DETAIL
(FOR SPLICE PLATES Spf & Spw REFER DRAWING STD05-A-2070)

COLUMN MARK	SIZE	FLANGE PLATE Spf			WEB PLATE Spw			REFERENCE RUBY SKETCH		
		PLATE SIZE	N (Number of Bolts)	Bolt type	Gage (Gf)	PLATE SIZE	Nw (Number of Bolts)		Bolt type	Gage (Gw)
150B, 152B, 154B 155B, 157B, 158B 159B, 161B, 163B	W14x132	1x12?x1'-2	2	1?ø A490-SC	11	?x10x1'-0?	2	?ø A325-SC	5?	CS-1 & CS-2
151B, 160B	W14x68	?x8x1'-0?	2	?ø A325-SC	5?	?x10x1'-0?	2	?ø A325-SC	5?	CS-1 & CS-2
153B, 162B	W14x90	?x12?x1'-2	2	?ø A325-SC	11	?x10x1'-0?	2	?ø A325-SC	5?	CS-1 & CS-2

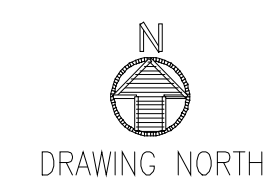
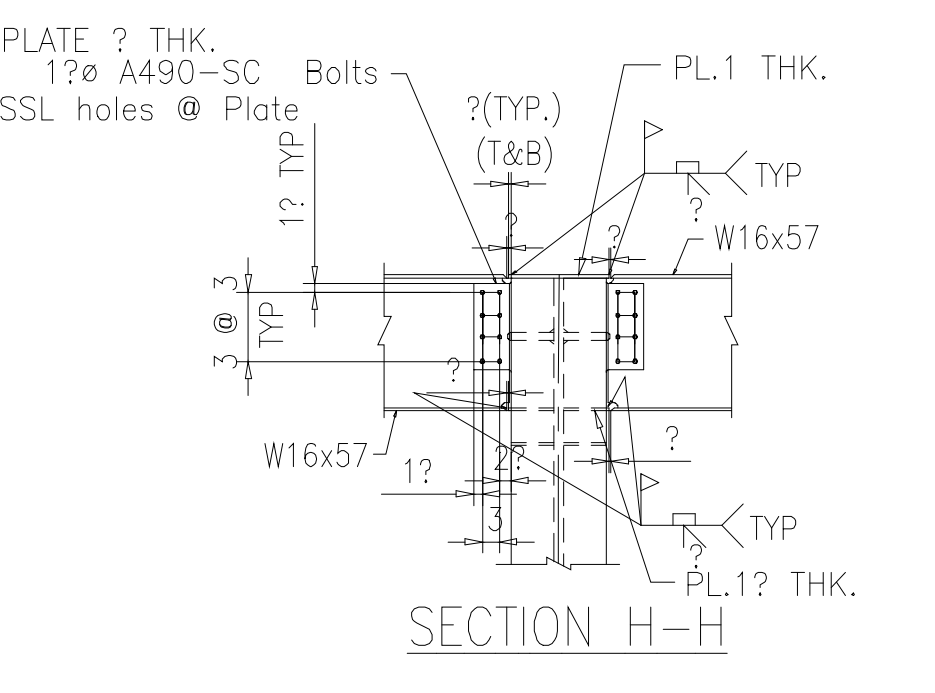
ROOF LEVEL FRAMING PLAN
(T.O.S.= AS NOTED)
SEQ#301



- NOTES:-
- 1) ALL SHOP BOLTS ARE TO BE (TC) BOLTS.
 - 2) ALL FIELD BOLTS ARE TO BE (HEX. HEAD) BOLTS.



RUBY TO VERIFY/ PROVIDE THE CONN.



DRAWING NORTH